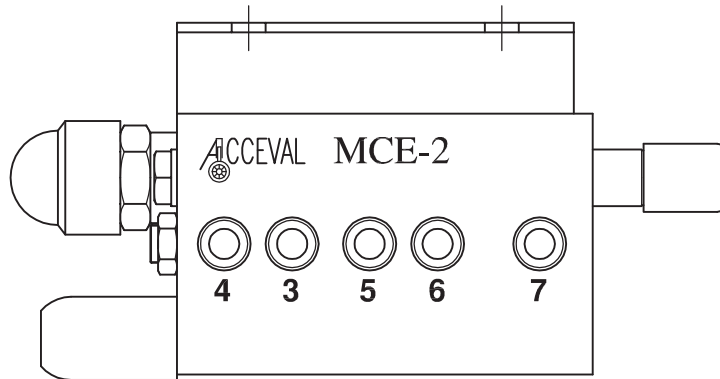


Acceval MCE-2



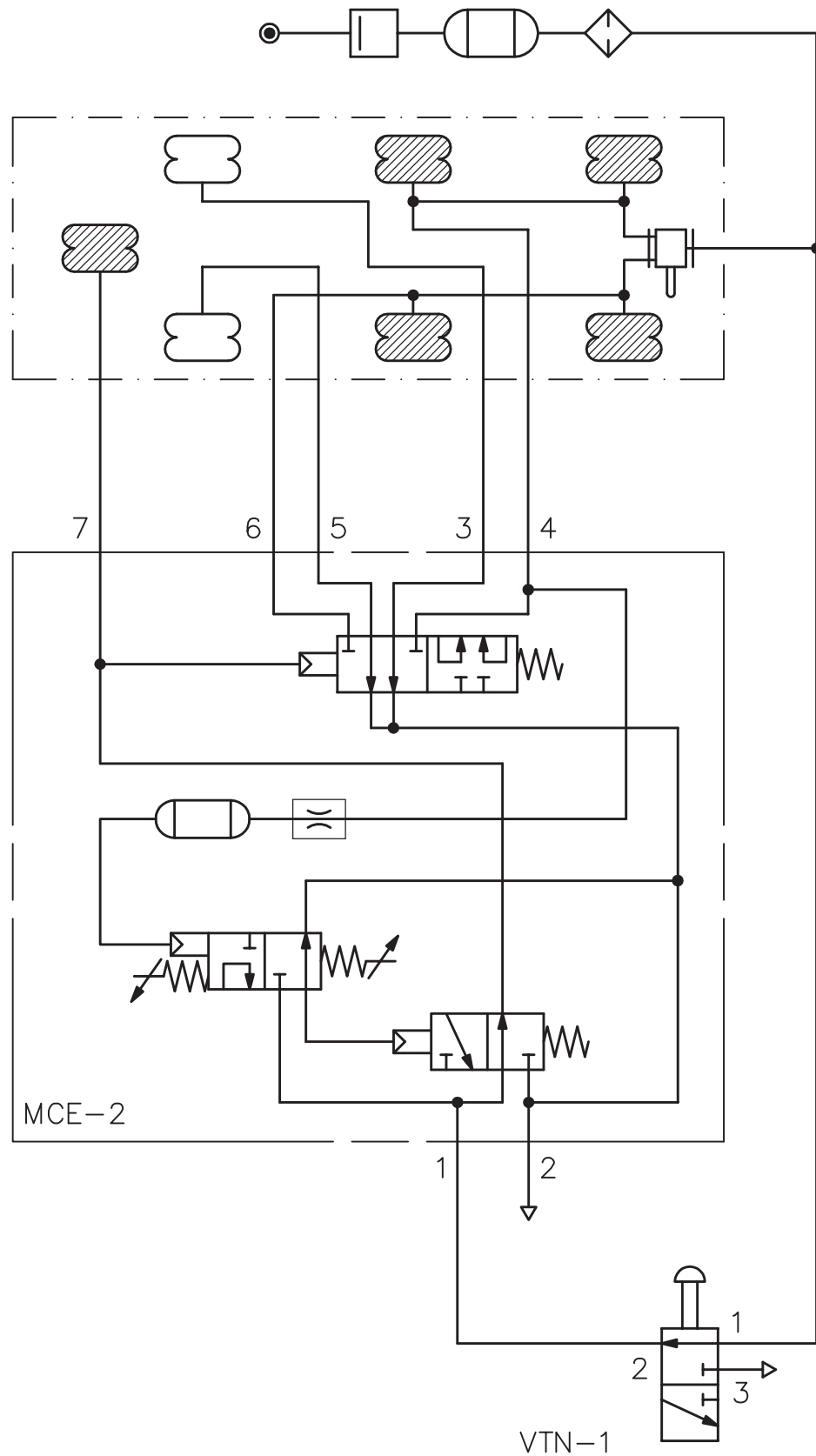
Lift Axle Control Valve
With Automatic Drop Function

Independent of EBS System

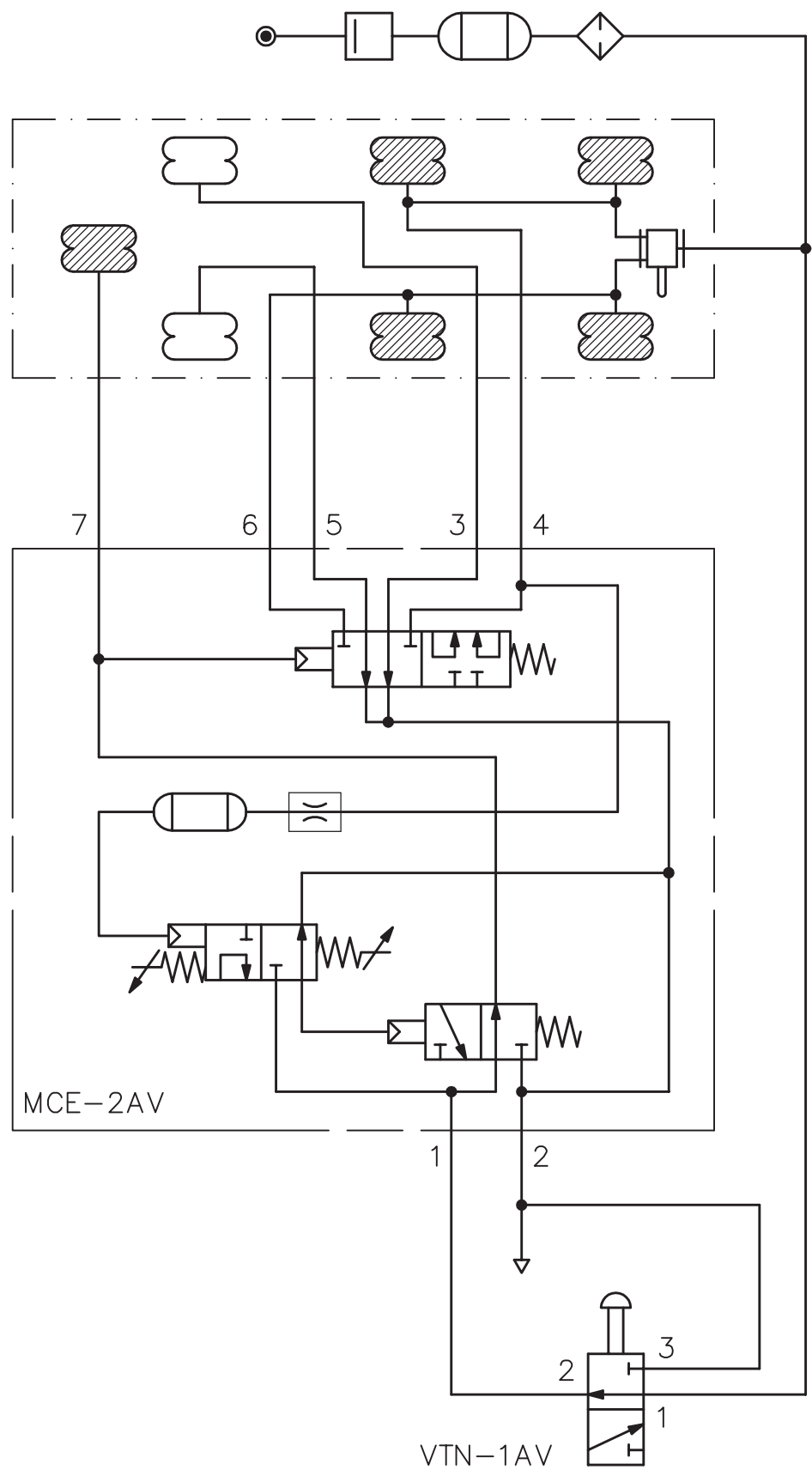
For Suspensions with
Double Circuit

Full Automatic

ACCEVAL MCE-2
 PNEUMATICAL SCHEME TYPE I
 (STANDARD)

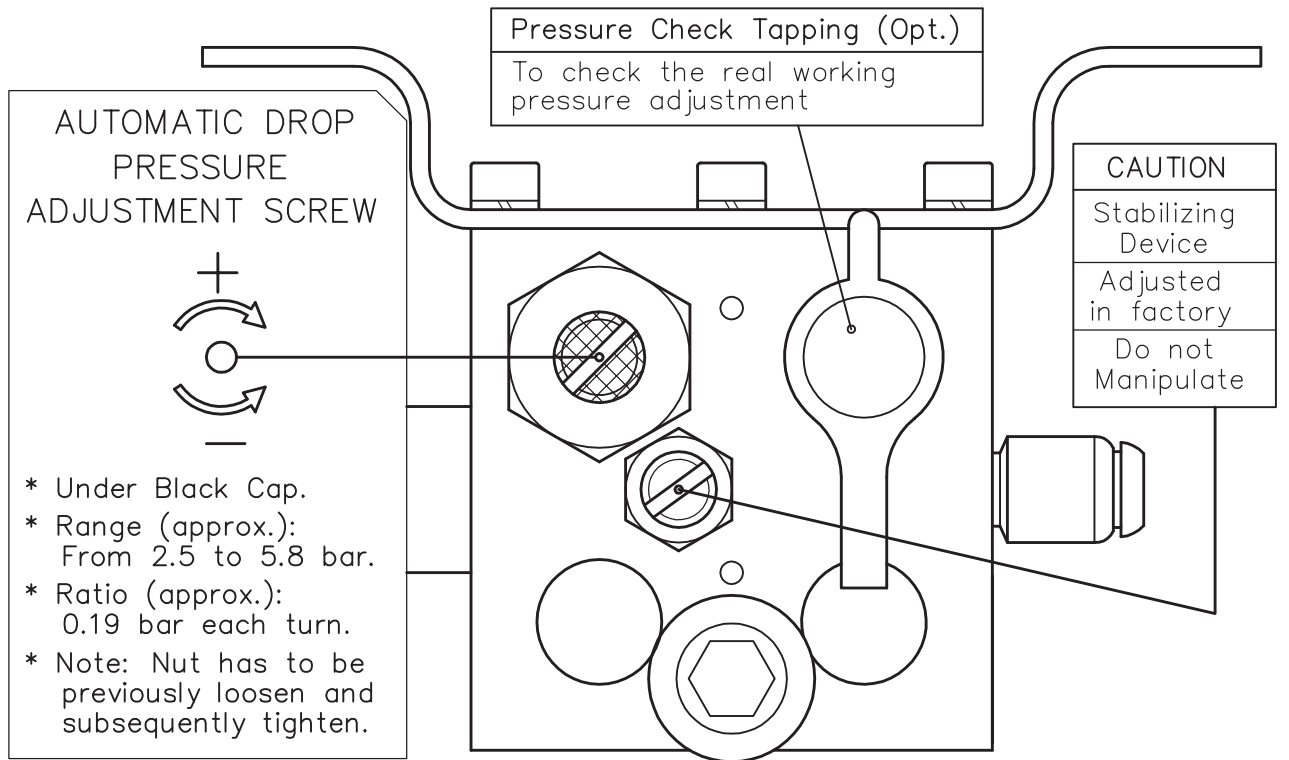


ACCEVAL MCE-2
 PNEUMATICAL SCHEME TYPE II
 (WITH ANTI-VACUUM CONNECTION)

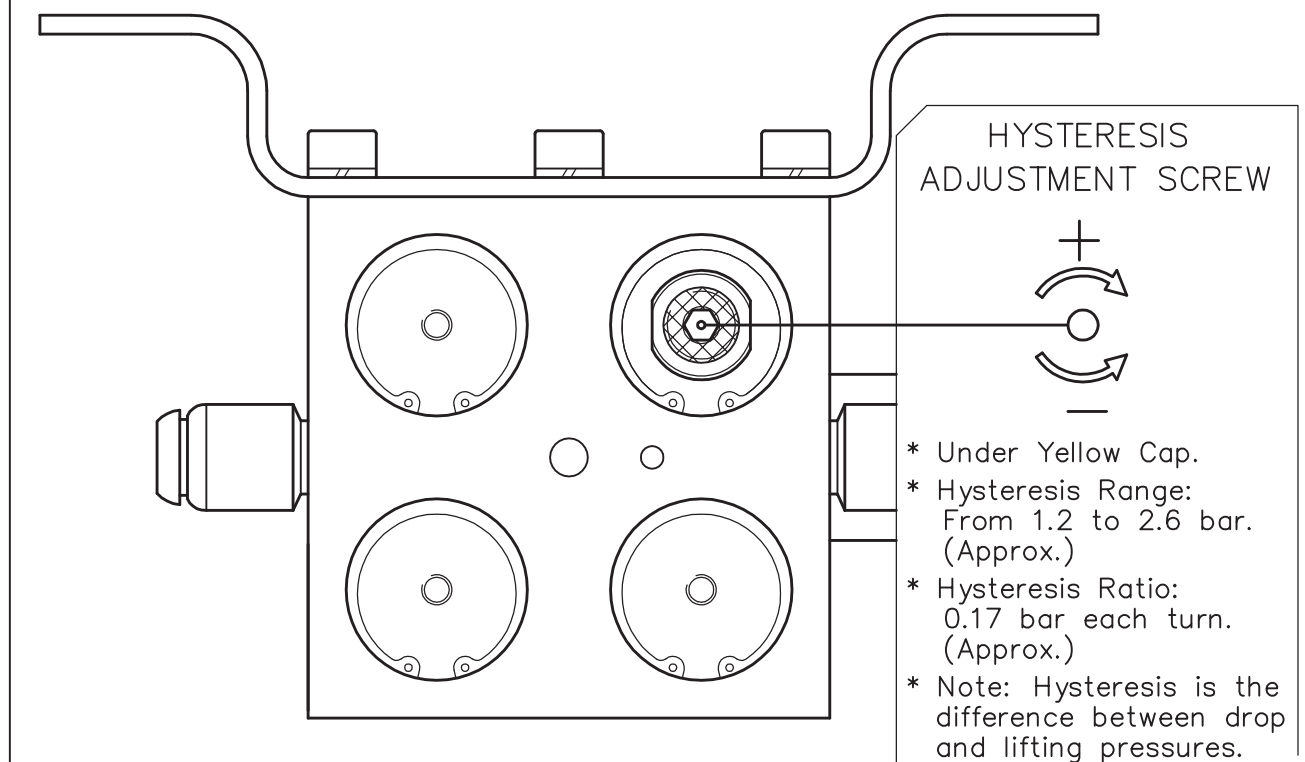


ACCEVAL MCE-2 ADJUSTMENT SCREWS

AUTOMATIC DROP PRESSURE



AUTOMATIC LIFTING PRESSURE (HYSTERESIS ADJ.)



ACCEVAL MCE-2

PRACTICAL SETTING VALUES

Automatic drop and lifting pressures of MCE-2 valves have to be adjusted according to specific characteristics of the used suspension.

Customers can order MCE-2 valves with the exactly settings, according to load/pressure graph of the used suspension, or they can use a reduced group of practical settings to cover all the different cases, in a functional and safe way (Note: Each case has to be previously calculated and validated).

For MCE-2 valves and vehicles with only one lift axle, we can get it with four different setting values, corresponding to the following four order codes:

A. MCE2-3217

3 AXLES VEHICLE / 360 MM SUSP. BELLOWS

- * Automatic Drop Pressure: 3.2 Bar
- * Automatic Lifting Pressure: 1.7 Bar

B. MCE2-4526

3 AXLES VEHICLE / 300 MM SUSP. BELLOWS

- * Automatic Drop Pressure: 4.5 Bar
- * Automatic Lifting Pressure: 2.6 Bar

C. MCE2-3212

2 AXLES VEHICLE / 360 MM SUSP. BELLOWS

- * Automatic Drop Pressure: 3.2 Bar
- * Automatic Lifting Pressure: 1.2 Bar

D. MCE2-4519

2 AXLES VEHICLE / 300 MM SUSP. BELLOWS

- * Automatic Drop Pressure: 4.5 Bar
- * Automatic Lifting Pressure: 1.9 Bar