

VALVES ACCEVAL MCE-1

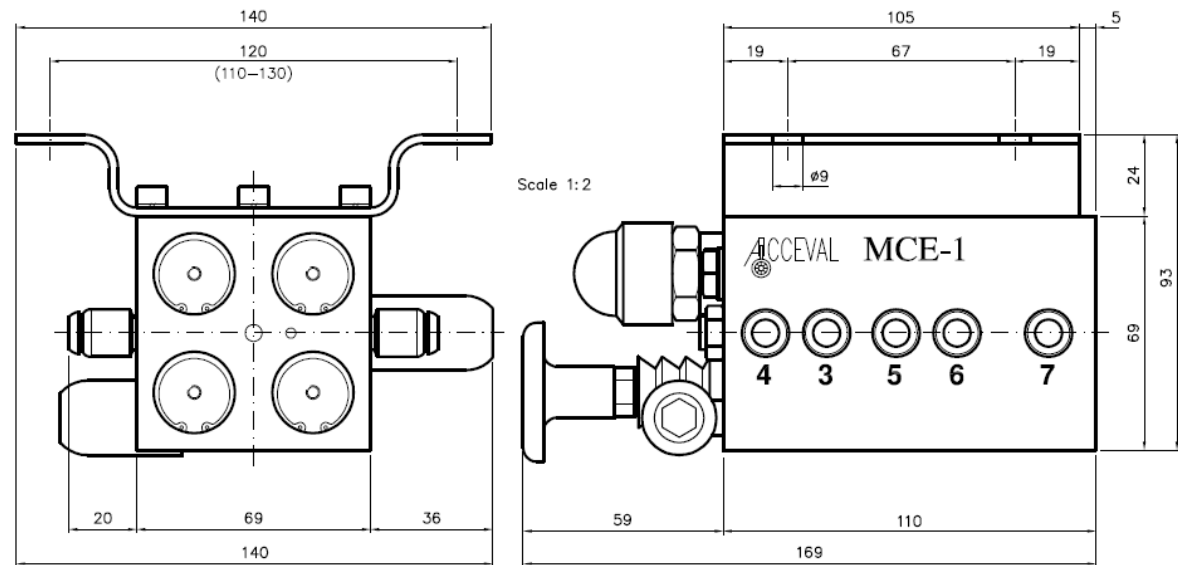
LS1500

Poids : 2,1 kg



ACCEVAL MCE-1
SEMI-AUTOMATIC LIFT AXLE CONTROL VALVE
(Automatic Drop and Manual Lifting)

TÜV
Nr. 390-0582-96 FBK/B



RAPIDE
Pièces Techniques