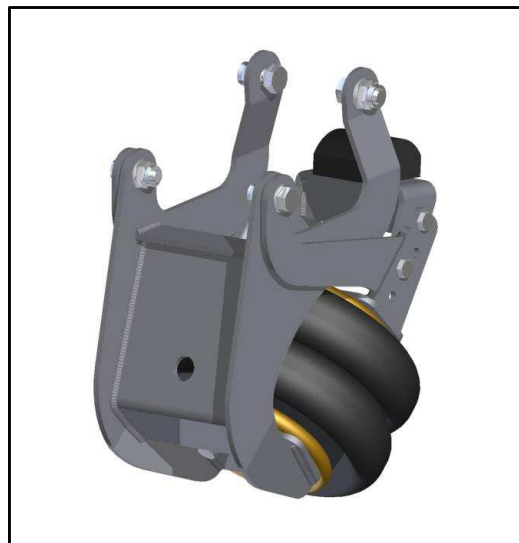




ACCEVAL
ACCESORIOS Y ELEVADORES VALENCIA

**AXLE LIFT KITS
FOR TRAILERS**



INDEX

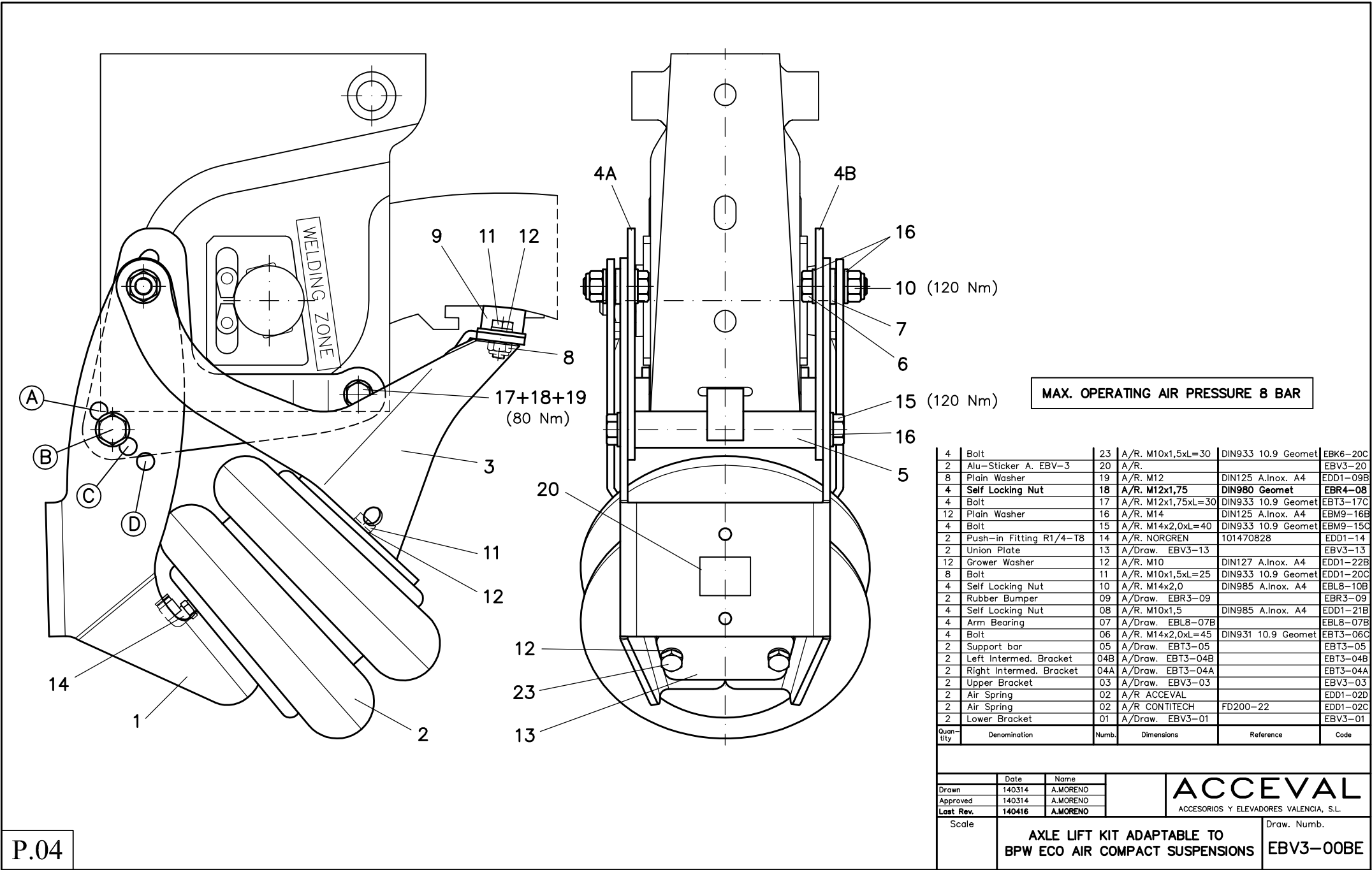
1	Axle Lift Kits for BPW Suspensions		
	<i>EBV-3</i>	BPW AC <i>Quick Assembly</i>	P.03
	<i>EBP-3</i>	BPW AL-2 <i>For Welded or Bolted Hanger Bracket Quick Assembly</i>	P.08
	<i>EBK-7</i>	BPW SL <i>"SLM" & "SLO" Series</i>	P.12
2	Axle Lift Kits for SAF Suspensions		
	<i>EBT-6</i>	SAF INTRA Series <i>For Welded or Bolted Hanger Bracket Quick Assembly</i>	P.14
	<i>EBM-9</i>	SAF MODUL Series <i>For Welded or Bolted Hanger Bracket Quick Assembly</i>	P.19
3	Axle Lift Kits for JOST Suspensions		
	<i>EBV-8</i>	JOST DCA <i>Quick Assembly</i>	P.23
4	Axle Lift Kits for VALX Suspensions		
	<i>EBQ-2</i>	VALX MBS-100 , MBS-200 & MBS-V2 Series 100-200-300 <i>With Casted Bracing Quick Assembly</i>	P.30
5	Axle Lift Kits for Meritor Suspensions		
	<i>EBM-5</i>	Meritor CS9000 <i>CS9000L & CS9000T</i>	P.33
	<i>EBL-5</i>	Meritor FL9000 <i>NB / NH / NBE / NBH</i>	P.37
6	Universal Axle Lift Kits for Pneumatic Suspensions		
	<i>ESN</i>	Trailers with Pneumatic Suspension <i>Special for Low Vehicles and/or Small Wheels Standard Stroke (ESN-1) & Large Stroke (ESN-2)</i>	P.39
7	Universal Axle Lift Kits for Mechanic Suspensions		
	<i>ESB</i>	Trailers with Mechanic Suspension	P.45

Acceval EBV-3



Axle Lift Kit for
BPW AC
Suspensions

Quick Assembly



MAX. OPERATING AIR PRESSURE 8 BAR

4	Bolt	23	A/R. M10x1,5xL=30	DIN933 10.9 Geomet	EBK6-20C
2	Alu-Sticker A. EBV-3	20	A/R.		EBV3-20
8	Plain Washer	19	A/R. M12	DIN125 A.Inox. A4	EDD1-09B
4	Self Locking Nut	18	A/R. M12x1,75	DIN980 Geomet	EBR4-08
4	Bolt	17	A/R. M12x1,75xL=30	DIN933 10.9 Geomet	EBT3-17C
12	Plain Washer	16	A/R. M14	DIN125 A.Inox. A4	EBM9-16B
4	Bolt	15	A/R. M14x2,0xL=40	DIN933 10.9 Geomet	EBM9-15C
2	Push-in Fitting R1/4-T8	14	A/R. NORGREN	101470828	EDD1-14
2	Union Plate	13	A/Draw. EBV3-13		EBV3-13
12	Grower Washer	12	A/R. M10	DIN127 A.Inox. A4	EDD1-22B
8	Bolt	11	A/R. M10x1,5xL=25	DIN933 10.9 Geomet	EDD1-20C
4	Self Locking Nut	10	A/R. M14x2,0	DIN985 A.Inox. A4	EBL8-10B
2	Rubber Bumper	09	A/Draw. EBR3-09		EBR3-09
4	Self Locking Nut	08	A/R. M10x1,5	DIN985 A.Inox. A4	EDD1-21B
4	Arm Bearing	07	A/Draw. EBL8-07B		EBL8-07B
4	Bolt	06	A/R. M14x2,0xL=45	DIN931 10.9 Geomet	EBT3-06C
2	Support bar	05	A/Draw. EBT3-05		EBT3-05
2	Left Intermed. Bracket	04B	A/Draw. EBT3-04B		EBT3-04B
2	Right Intermed. Bracket	04A	A/Draw. EBT3-04A		EBT3-04A
2	Upper Bracket	03	A/Draw. EBV3-03		EBV3-03
2	Air Spring	02	A/R. ACCEVAL		EDD1-02D
2	Air Spring	02	A/R. CONTITECH	FD200-22	EDD1-02C
2	Lower Bracket	01	A/Draw. EBV3-01		EBV3-01

Quantity	Denomination	Numb.	Dimensions	Reference	Code
----------	--------------	-------	------------	-----------	------

Drawn	Date	Name
Approved	140314	A.MORENO
Last Rev.	140416	A.MORENO

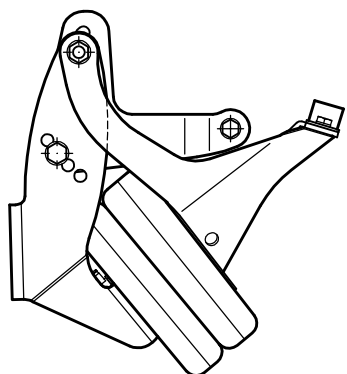
ACCEVAL
ACCESORIOS Y ELEVADORES VALENCIA, S.L.

Scale	AXLE LIFT KIT ADAPTABLE TO BPW ECO AIR COMPACT SUSPENSIONS	Draw. Numb. EBV3-00BE
-------	---	---------------------------------

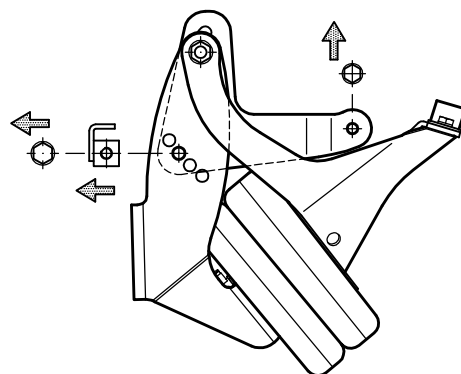
EBV-3

INSTALLATION ON BPW ECO AIR COMPACT SUSPENSIONS

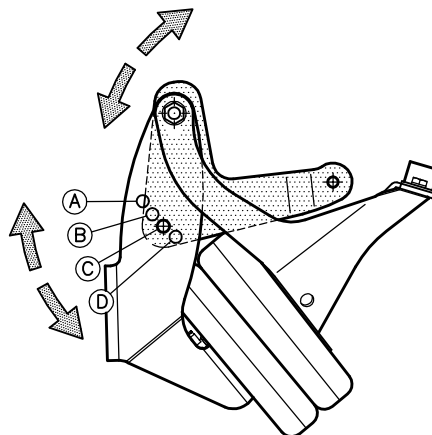
1



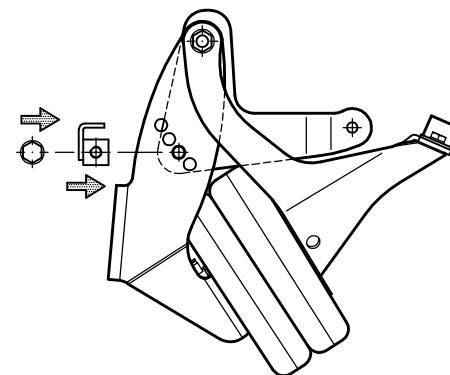
2



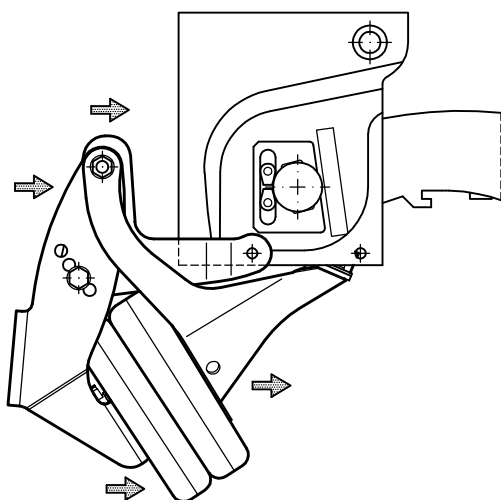
3



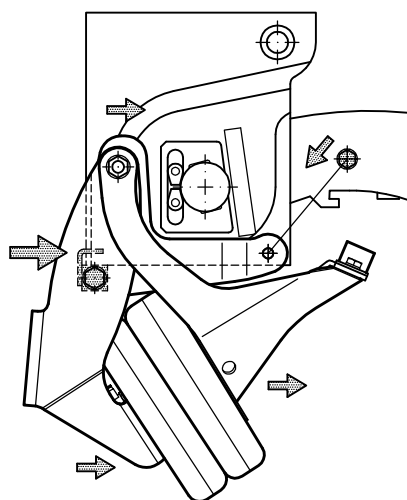
4



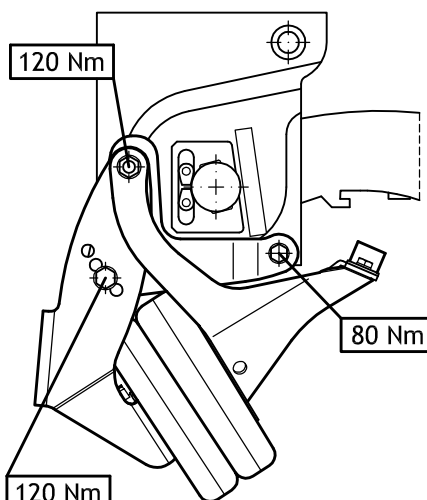
5



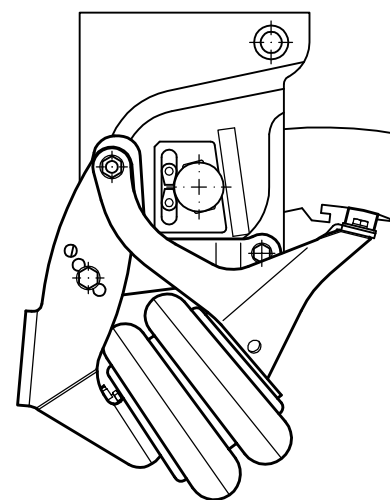
6



7



8



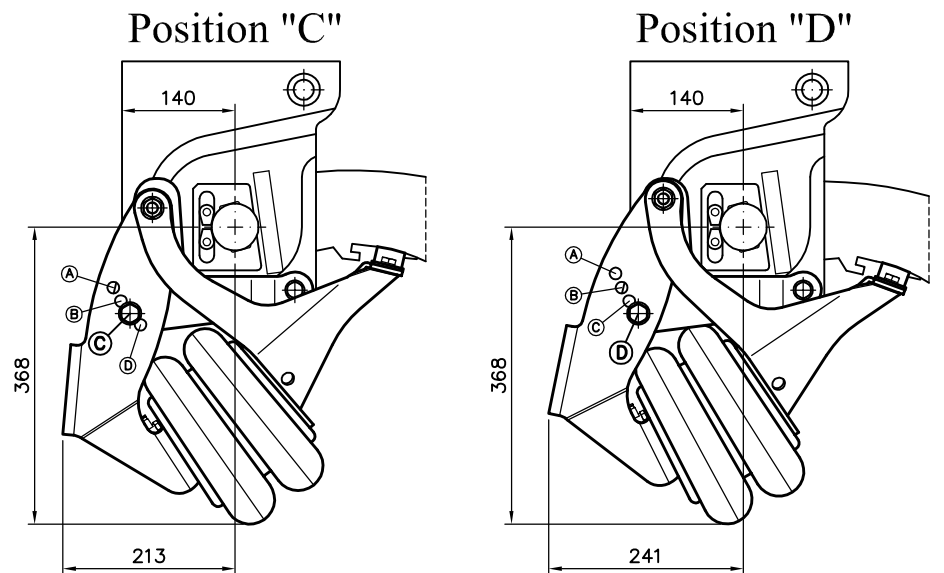
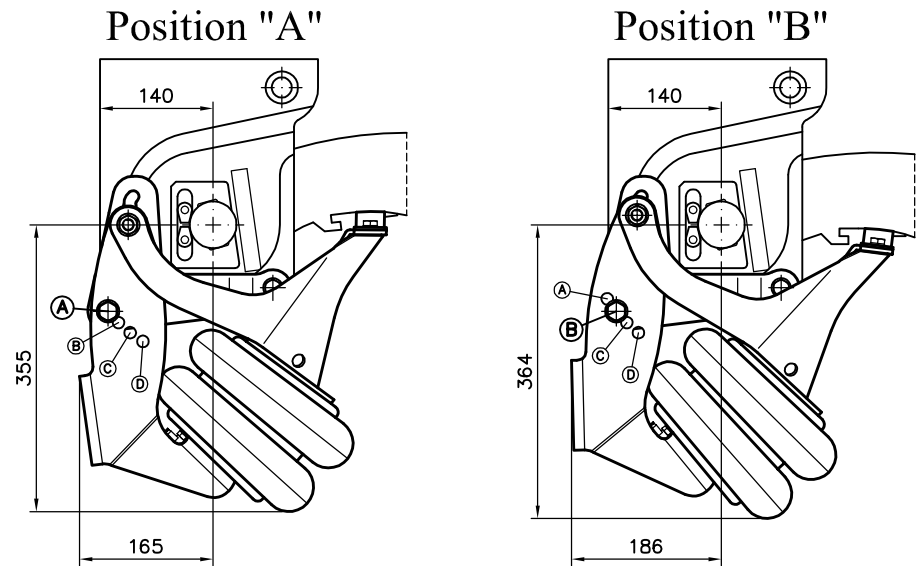
EBV-3

ADJUSTMENT ACCORDING TO SUSPENSION VARIANT

Standard Suspensions. Sheet No. 1a/1b/1c						
Line	Series	Ride Height FH			Axle Lift Position	
		Single Axles	Axle Units	min. FH Axle Raised		
1	AU	205-255	215-255	245	A	
2		235-305	245-305	275	A	
3	AM	245-295	255-295	285	A	
4		275-345	285-345	315		B
5	BM	300-370	310-370	340		B
6	BO	330-380	340-380	370		B
7		360-425	370-425	400		C
8		390-460	400-460	430		B
9		415-485	425-485	455		C
10		450-510	460-510	490		C

Long Stroke Suspensions. Sheet No. 2a/2b/2c						
Line	Series	Ride Height FH			Axle Lift Position	
		Single Axles	Axle Units	min. FH Axle Raised		
1	AU	250-350	260-350	290		B
2	AM	290-350	300-350	330		C
3	BM	320-425	330-425	360		C
4	BO	375-425	385-425	415		D
5		410-510	420-510	450		C

Kombi Suspensions. Sheet No. 3a/3b/3c						
Line	Series	Ride Height FH			Axle Lift Position	
		Single Axles	Axle Units	min. FH Axle Raised		
1	AU	210-260	220-260	250	A	
2		240-290	250-290	280	A	
3		270-320	280-320	310	A	
4	BM	300-350	310-350	340		B
5	AM	330-370	340-370	370	A	
6	BO	365-410	375-410	405	A	
7		390-440	400-440	430		B
8		415-465	425-465	455		B
9		450-490	460-490	490		B



Minimum Axle Lift Groundclearance (mm): Laden Vehicle and Suspension Without Pressure

Standard Suspensions. Sheet No. 1a/1b/1c

Line	Series	Wheels Dimensions						
		385/65 R22,5'	385/55 R22,5'	385/65 R19,5'	435/50 R19,5'	445/45 R19,5'	275/70 R22,5'	265/70 R19,5'
1	AU	63	(33)	(24)	(-8)	(-16)	(19)	(-30)
2		93	63	54	(22)	(14)	(49)	(0)
3	AM	103	73	64	(32)	(24)	59	(10)
4		124	94	85	53	(45)	80	(31)
5	BM	149	119	110	78	70	105	56
6	BO	179	149	140	108	100	135	86
7		205	175	166	134	126	161	112
8		154	124	115	83	75	110	61
9		175	145	136	104	96	131	82
10		210	180	171	139	131	166	117

Long Stroke Suspensions. Sheet No. 2a/2b/2c

Line	Series	Wheels Dimensions						
		385/65 R22,5'	385/55 R22,5'	385/65 R19,5'	435/50 R19,5'	445/45 R19,5'	275/70 R22,5'	265/70 R19,5'
1	AU	99	69	60	(28)	(20)	55	(6)
2	AM	135	105	96	64	56	91	(42)
3	BM	165	135	126	94	86	121	72
4	BO	220	190	181	149	141	176	127
5		170	140	131	99	91	126	77

Kombi Suspensions. Sheet No. 3a/3b/3c

Line	Series	Wheels Dimensions						
		385/65 R22,5'	385/55 R22,5'	385/65 R19,5'	435/50 R19,5'	445/45 R19,5'	275/70 R22,5'	265/70 R19,5'
1	AU	68	(38)	(29)	(-3)	(-11)	(24)	(-25)
2		(13)	(-17)	(-26)	(-58)	(-66)	(-31)	(-80)
3		(43)	(13)	(4)	(-28)	(-36)	(-1)	(-50)
4	BM	149	119	110	78	70	105	56
5	AM	103	73	64	(32)	(24)	59	(10)
6	BO	138	108	99	67	59	94	(45)
7		154	124	115	83	75	110	61
8		179	149	140	108	100	135	86
9		214	184	175	143	135	170	121

Acceval Prescribes a Minimum Groundclearance of 50 mm (See Table).
All Values Below 50 mm are the Responsibility of the Customer.

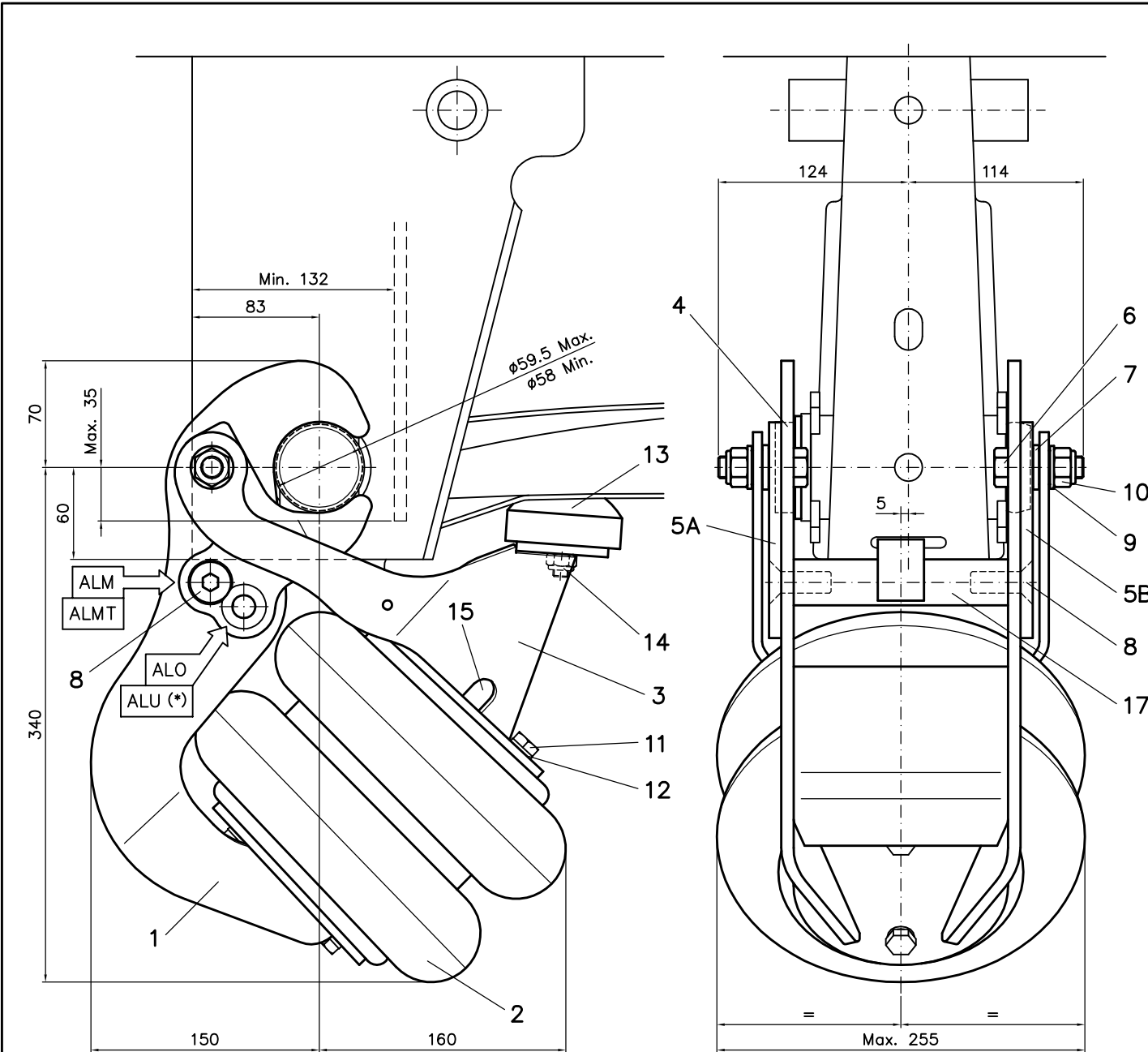
Acceval EBP-3



Axle Lift Kit for
BPW AL-2
Suspensions

For Welded or Bolted
Hanger Bracket

Quick Assembly



PROCEDURE FOR INSTALLATION ON VEHICLE

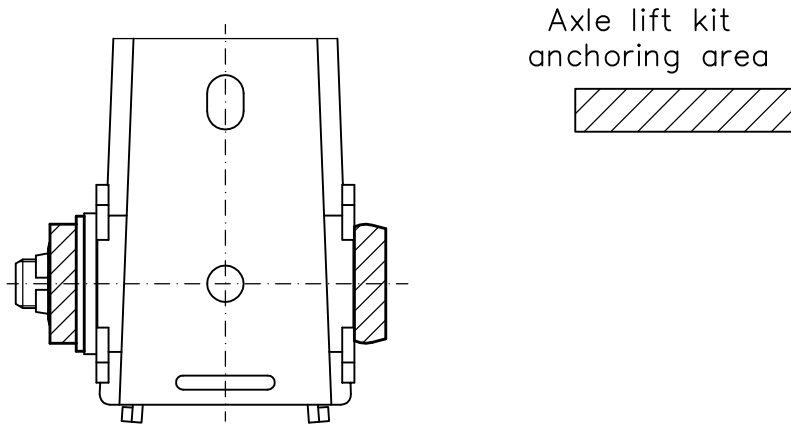
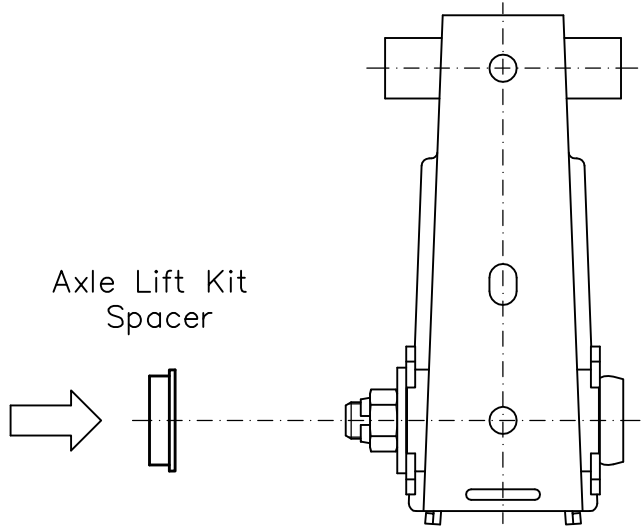
- 1) Install Spacer (4), included into the kit, over the original nut of pivot bolt, with great diameter in contact with original washer.
- 2) Dismantle support bar (17) and bolts (8) from lower bracket (1) of axle lift kit.
- 3) Press down the air spring (2) and fit a plastic plug on the fitting (15) to keep it compressed.
- 4) Insert axle lift kit through front side of suspension bracket and hang it, by means of his hooks, from external head of pivot bolt and special spacer (4) previously installed.
- 5) Place the support bar (17) between lateral corresponding holes of lower bracket (1) according to suspension type (see utilization notes).
- 6) Rotate the Lock parts (5A,5B) to align its two holes with corresponding holes at lower bracket (1) and insert Bolts (8) to be screwed at both sides of support bar (17).
- 7) Remove plastic plug previously installed on the fitting (15) of the air spring (2).
- 8) When support bar (17) is perfectly resting under suspension bracket base, screw up the bolts (8). (Torque Setting (dry): 120 Nm)
(Note: We can use a little air pressure on bellow to get the perfect resting of support bar (17) before the definitive squeeze of the bolts (8)).

MAX. OPERATING AIR PRESSURE 8 BAR

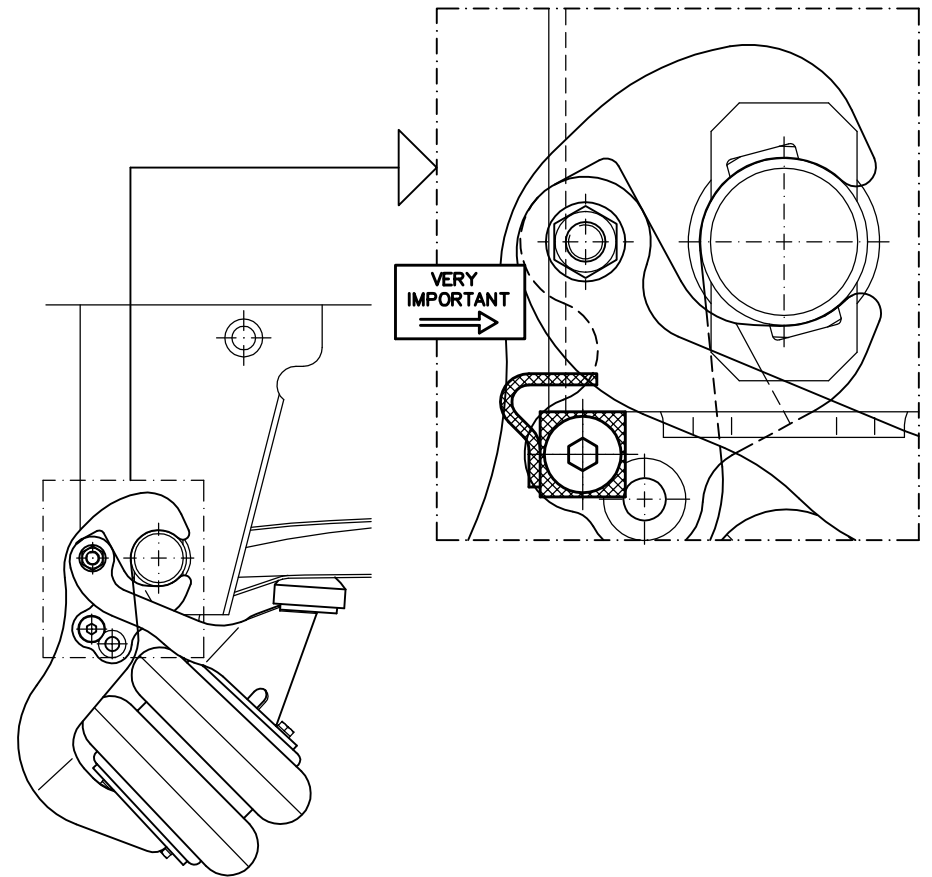
2	Support bar	17	A/Draw. EBP3-17		EBP3-17
2	Push-in Fitting R1/4-T8	15	A/R. NORGREN	101470828	EDD1-14
4	Self Locking Nut	14	A/R. M10x1,5	DIN985 Zinc.	EDD1-21
2	Rubber Bumper	13	A/Draw. EBL1-09		EBL1-09
2	Grower Washer	12	A/R. M10	DIN127 B Zinc.	EDD1-22
8	Bolt	11	A/R. M10x1,5xL=25	DIN933 8.8 Zinc.	EDD1-20
4	Self Locking Nut	10	A/R. M14x2,0	DIN985 Zinc.	EBL8-10
4	Plain Washer	09	A/R. M14	DIN125 Zinc.	EBM9-16
4	Bolt	08	A/R. M14x2,0xL=40	DIN7991 10.9 Zinc.	EBP3-08
4	Arm Bearing	07	A/Draw. EBP3-07		EBP3-07
4	Bolt	06	A/R. M14x2,0xL=50	DIN931 8.8 Zinc.	EBP3-06
2	Left Lock	05B	A/Draw. EBP3-35B		EBP3-35B
2	Right Lock	05A	A/Draw. EBP3-35A		EBP3-35A
2	Spacer	04	A/Draw. EBP3-04		EBP3-04
2	Upper Bracket	03	A/Draw. EBP3-03		EBP3-03
2	Air Spring	02	A/R. CONTITECH	FD200-22	EDD1-02C
2	Lower Bracket	01	A/Draw. EBP3-31		EBP3-31
Quantity	Denomination	Numb.	Dimensions	Reference	Code

Drawn	Date	Name	ACCEVAL ACCESORIOS Y ELEVADORES VALENCIA, S.L.
Approved	171209	A.MORENO	
Last Rev.	100113	A.MORENO	
Scale	AXLE LIFT KIT ADAPTABLE TO BPW AIRLIGHT II SUSPENSIONS (From Sept-2007, ϕ24mm Pivot Bolt)		Draw. Numb. EBP3-00AE

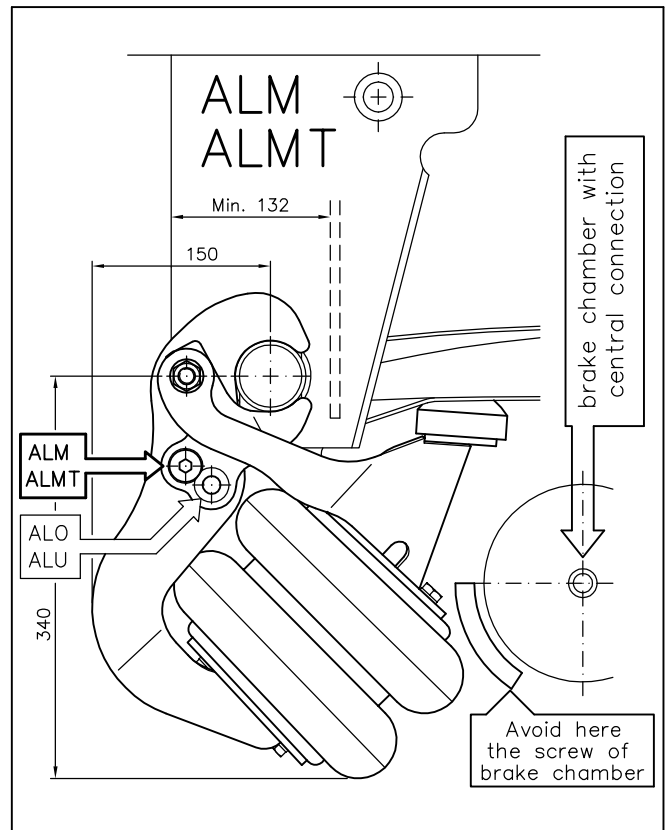
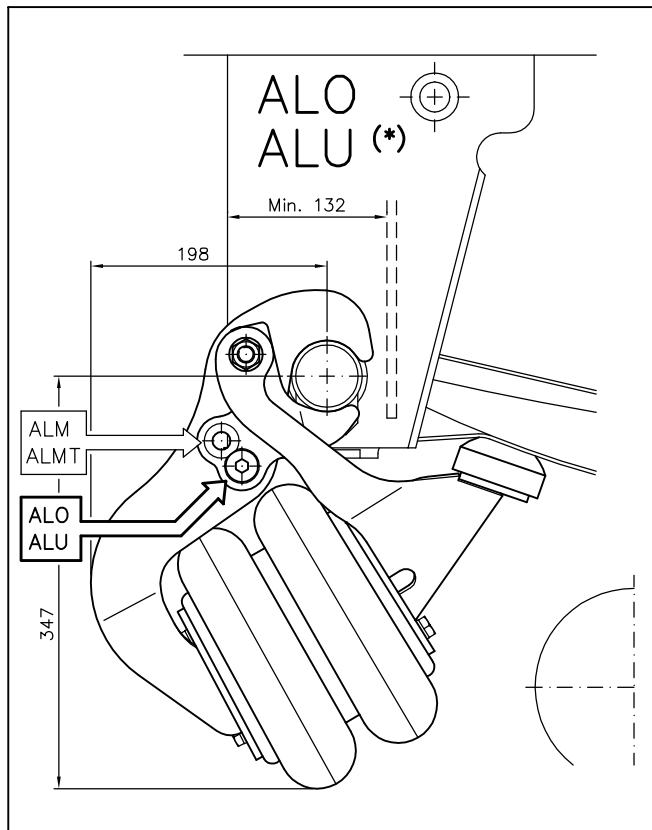
EBP-3: INSTALLATION ON BPW AIRLIGHT II SUSPENSIONS



SPECIFIC ORIENTATION OF SUPPORT BAR

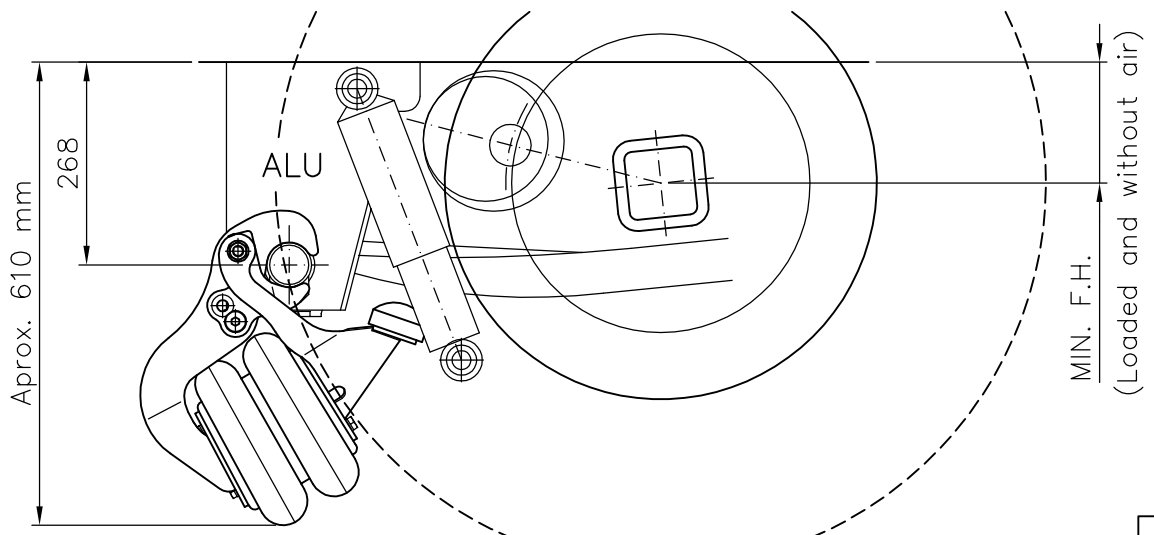


EBP-3: INTALLATION DIMENSIONS ON BPW AIRLIGHT II



EBP-3: "ALU" TYPE UTILIZ. ACCORDING TO WHEELS DIMENS.

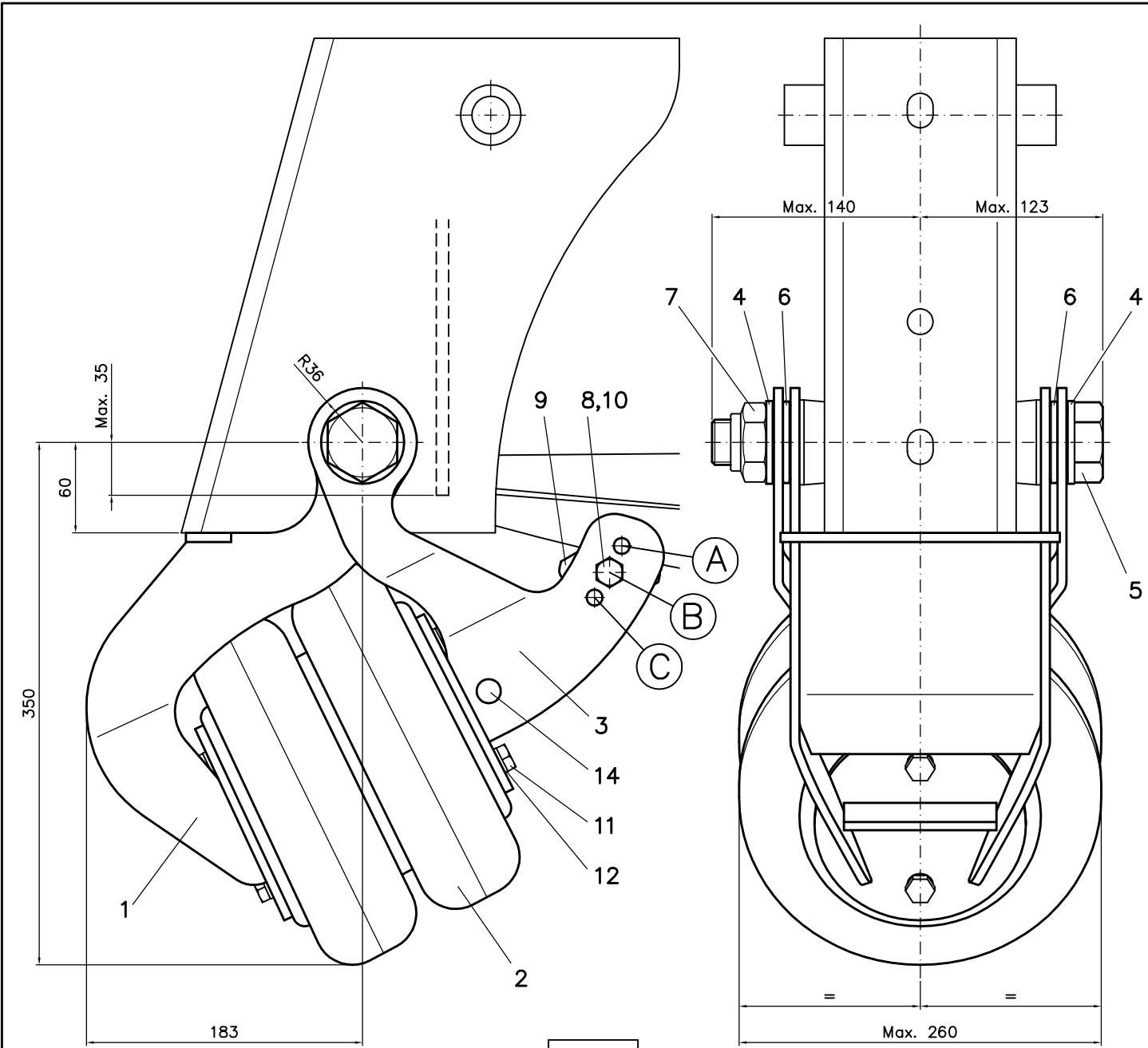
"ALU" SUSP. WHEELS	R.H. 215-255 (MIN. F.H. 130)	R.H. 245-290 (MIN. F.H. 160)	R.H. 270-300 (MIN. F.H. 185)
385/65 R22.5	YES	YES	YES
385/55 R22.5	NO	YES	YES
385/65 R19.5	NO	YES	YES
435/50 R19.5	NO	NO	NO
445/45 R19.5	NO	NO	NO
275/70 R22.5	NO	NO	YES
265/70 R19.5	NO	NO	NO



Acceval EBK-7



Axle Lift Kit for
BPW SL
Suspensions



P.13

UTILIZATION OF THIS AXLE LIFT KIT

- * For BPW "SL" Suspensions: "SLM" and "SLO" Series. (Not for "SLU" Series)
- * With Disc or Drum Brakes.
- * With Single or Double Leaf Spring.
- * With 9t (120mm) or 12t (150mm) Axles.
- * Only for Steel Hanger Bracket. (Not for Cross Member Bracket)
- * For Suspensions Range since 2005.

ADJUSTMENT SELECTION

POSITION (A)

- * "SLM" Series / Single-leaf Spring.
- * "SLO" Series / Single-leaf Spring.

POSITION (B)

- * "SLM" Series / Double-leaf Spring.

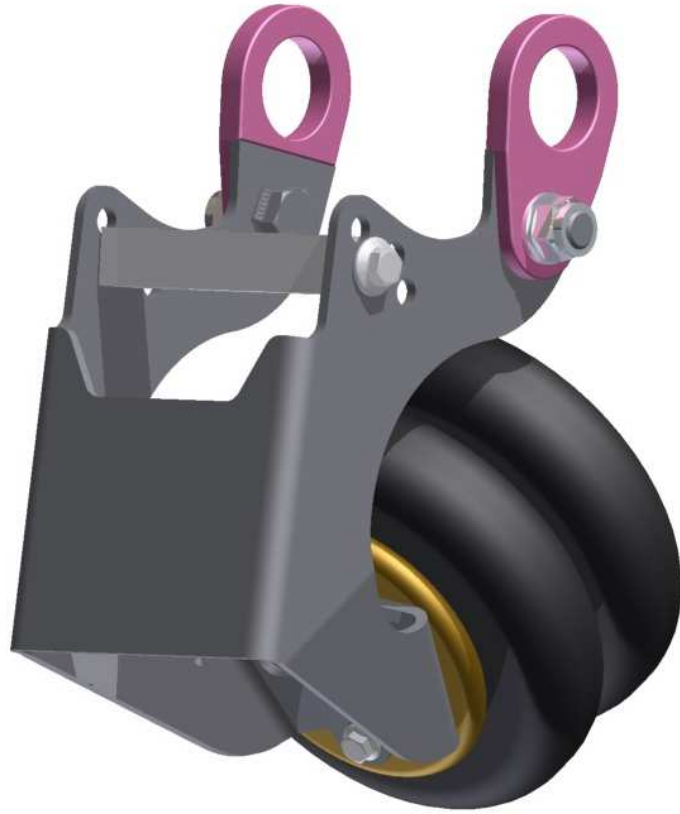
POSITION (C)

- * "SLO" Series / Double-leaf Spring.

2	Push-in Fitting R1/4-T8	14	A/R. NORGREEN	101470828	EDD1-14
8	Grower Washer	12	A/R. M10	DIN127 B Zinc	EDD1-22
8	Bolt	11	A/R. M10x1,5xL=25	DIN933 8.8 Zinc.	EDD1-20
2	Self Locking Nut	10	A/R. M10x1,5	DIN985 Zinc. (W)	EDD1-21
2	Rubber Bumper	09	A/R. (W)		EBK7-09
2	Bolt	08	A/R. M10x1,5xL=160	DIN931 8.8 Zinc.(W)	EBK7-08
2	Self Locking Nut	07	A/R. M30x3,5	DIN980 C8 Geomet	EBK7-07
4	Bearing	06	A/Draw. EBK7-06	F-114 Del-T	EBK7-06
2	Anchoring Bolt	05	A/R. M30x3,5xL=240	DIN931 8.8 Del-T	EBK4-05
4	Plain Washer	04	A/R. M30 31/56/4	DIN125 Zinc	EDD6-04
2	Upper Support	03	A/Draw. EBK7-03	S-355	EBK7-03
2	Air bellow	02	A/R. CONTITECH	FD200-25	EBK2-02
2	Lower Support	01	A/Draw. EBK7-01	S-355	EBK7-01
Quantity	Denomination	Numb.	Dimensions	Reference	Code

Date		Name		ACCEVAL ACCESORIOS Y ELEVADORES VALENCIA, S.L.
Drawn	290606	A.MORENO		
Modif.	290519	A.MORENO		
Scale	TWIN BAG AXLE LIFT KIT ADAPTABLE TO BPW "SL" SUSPENSIONS			Draw. Numb. EBK7-00E

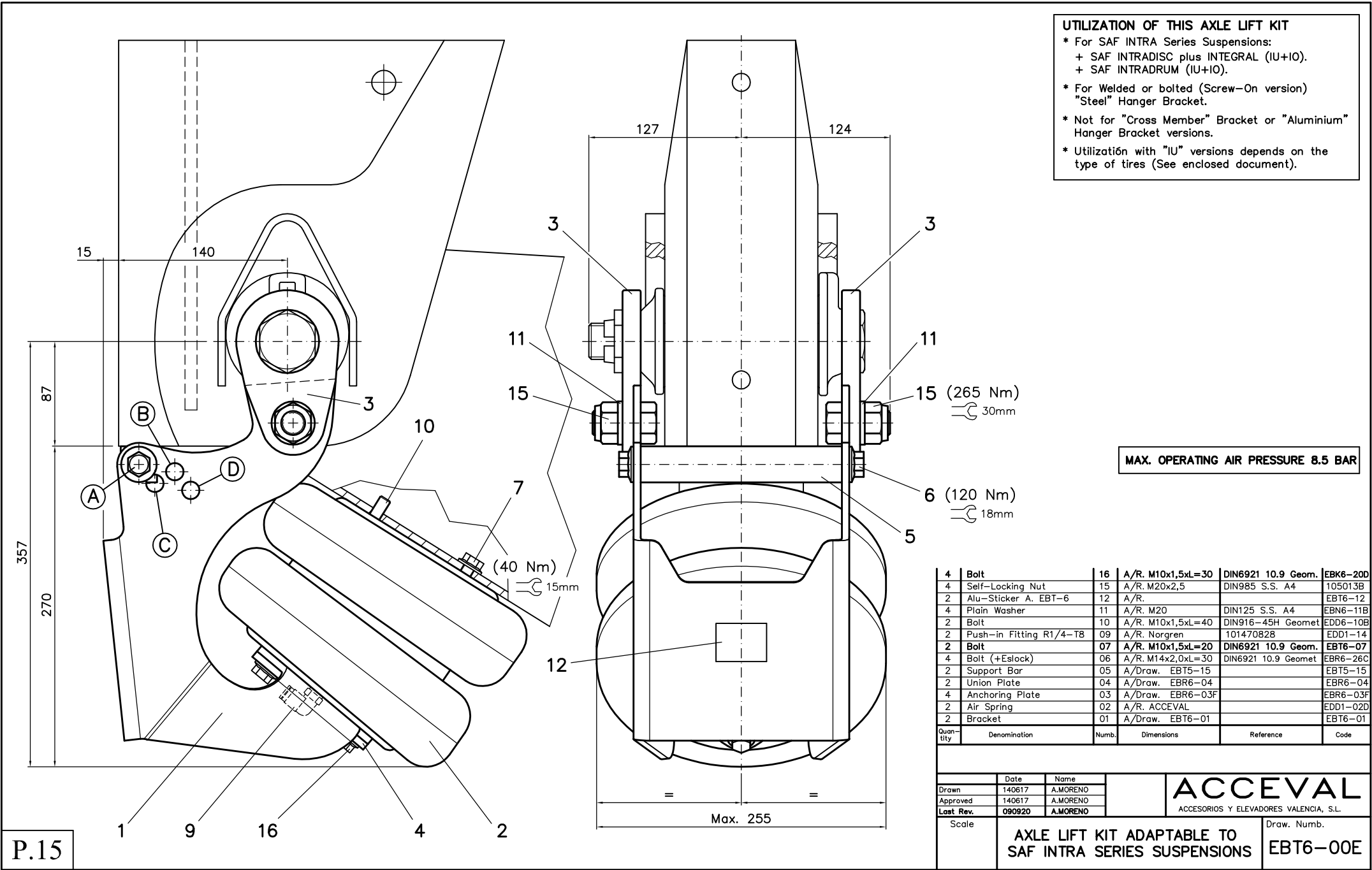
Acceval EBT-6



Axle Lift Kit for
SAF INTRA Series
Suspensions

For Welded or Bolted
Hanger Bracket

Quick Assembly



UTILIZATION OF THIS AXLE LIFT KIT

- * For SAF INTRA Series Suspensions:
+ SAF INTRADISC plus INTEGRAL (IU+IO).
+ SAF INTRADRUM (IU+IO).
- * For Welded or bolted (Screw-On version) "Steel" Hanger Bracket.
- * Not for "Cross Member" Bracket or "Aluminium" Hanger Bracket versions.
- * Utilization with "IU" versions depends on the type of tires (See enclosed document).

MAX. OPERATING AIR PRESSURE 8.5 BAR

4	Bolt	16	A/R. M10x1,5xL=30	DIN6921 10.9 Geom.	EBK6-20D
4	Self-Locking Nut	15	A/R. M20x2,5	DIN985 S.S. A4	105013E
2	Alu-Sticker A. EBT-6	12	A/R.		EBT6-12
4	Plain Washer	11	A/R. M20	DIN125 S.S. A4	EBN6-11B
2	Bolt	10	A/R. M10x1,5xL=40	DIN916-45H Geomet	EDD6-10B
2	Push-in Fitting R1/4-T8	09	A/R. Norgren	101470828	EDD1-14
2	Bolt	07	A/R. M10x1,5xL=20	DIN6921 10.9 Geom.	EBT6-07
4	Bolt (+Eslock)	06	A/R. M14x2,0xL=30	DIN6921 10.9 Geomet	EBR6-26C
2	Support Bar	05	A/Draw. EBT5-15		EBT5-15
2	Union Plate	04	A/Draw. EBR6-04		EBR6-04
4	Anchoring Plate	03	A/Draw. EBR6-03F		EBR6-03F
2	Air Spring	02	A/R. ACCEVAL		EDD1-02D
2	Bracket	01	A/Draw. EBT6-01		EBT6-01
Quantity	Denomination	Numb.	Dimensions	Reference	Code

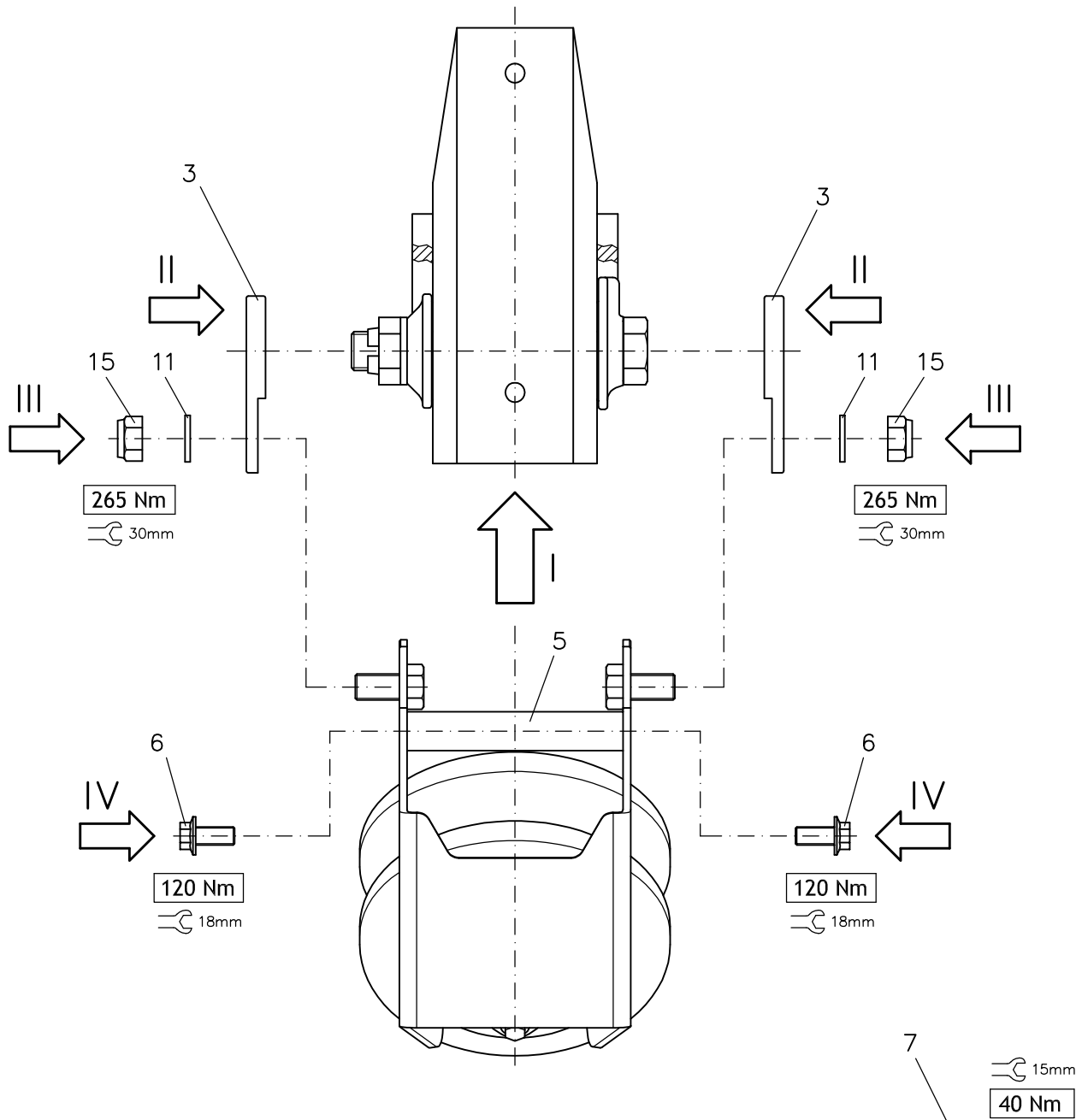
Drawn	Date	Name
Approved	140617	A.MORENO
Last Rev.	090820	A.MORENO

ACCEVAL
ACCESORIOS Y ELEVADORES VALENCIA, S.L.

Scale	AXLE LIFT KIT ADAPTABLE TO SAF INTRA SERIES SUSPENSIONS	Draw. Numb. EBT6-00E
-------	--	--------------------------------

ACCEVAL EBT-6

AXLE LIFT KIT ASSEMBLY ON SAF INTRADISC plus INTEGRAL / SAF INTRADRUM



Quantity	Denomination	Numb.	Dimensions	Reference	Code
4	Self-Locking Nut	15	A/R. M20x2,5	DIN985 S.S. A4	105013B
4	Plain Washer	11	A/R. M20	DIN125 S.S. A4	EBN6-11B
2	Bolt	07	A/R. M10x1,5xL=20	DIN6921 10.9 Geomet	EBT6-07
4	Bolt (+Eslack)	06	A/R. M14x2,0xL=30	DIN6921 10.9 Geomet	EBR6-26C
2	Support Bar	05	A/Draw. EBT5-15		EBT5-15
4	Anchoring Plate	03	A/Draw. EBR6-03F		EBR6-03F

SAF INTRA / Edition 2016-11

Suspension	Position
IU25/2000 33	A
IU28/2005 33	B
IU30/2505 33	A
IU33/2510 33	B
IU35/3010 33	A

Suspension	Position
I035/2000 33	D
I037/2500 33	C
I040/2505 33	D
I042/3005 33	C
I045/3010 33	D
I047/3510 33	C
I050/3515 33	D

Suspension	Position
IU25/2000 42	A
IU28/2005 42	B
IU30/2505 42	A
IU33/2510 42	B
IU35/3010 42	A

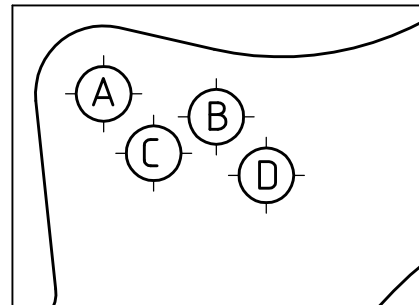
Suspension	Position
I035/2000 42	D
I037/2500 42	C
I040/2505 42	D
I042/3005 42	C
I045/3010 42	D
I047/3510 42	C
I050/3515 42	D

Suspension	Position
IU29/2000 41	B
IU31/2500 41	A
IU34/2505 41	B
IU36/3005 41	A
IU39/3010 41	B
IU42/3015 41	C

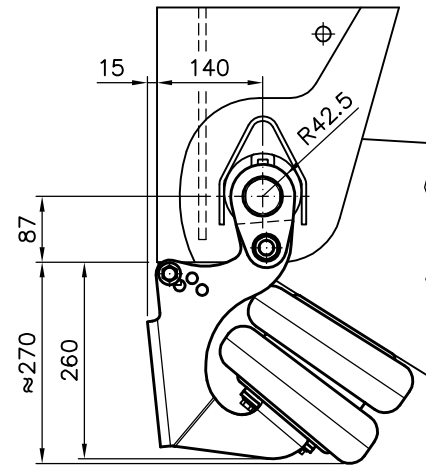
Suspension	Position
I044/3000 41	C
I049/3505 41	C

Suspension	Position
IU30/2000 47	C
IU32/2500 47	B
IU35/2505 47	C
IU37/3005 47	B
IU40/3010 47	C
IU42/3510 47	B

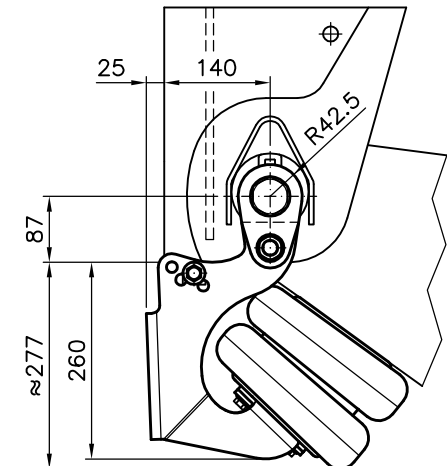
Suspension	Position
I045/3000 47	D
I050/3505 47	D



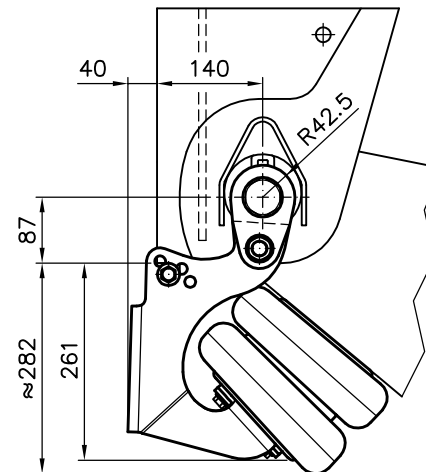
Position "A"



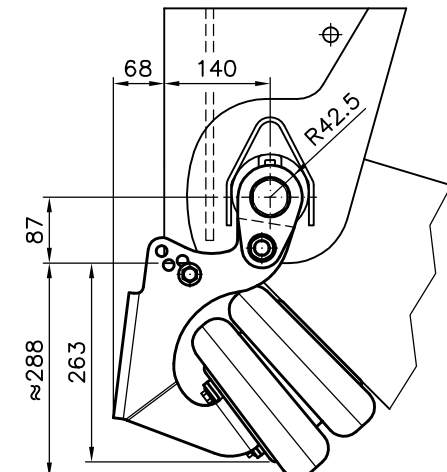
Position "B"



Position "C"



Position "D"



Acceval EBT-6

Utilization with "IU" according to Type of Tires

Minimum Axle Lift Groundclearance (mm): Laden Vehicle and Suspension Without Pressure

	385/65 R22,5"	385/55 R22,5"	385/65 R19,5"	435/50 R19,5"	445/45 R19,5"	275/70 R22,5"	265/70 R19,5"
IU25/2000 33	92	62	53	<21>	<13>	<48>	<-1>
IU28/2005 33	122	92	83	51	<43>	78	<29>
IU30/2505 33	92	62	53	<21>	<13>	<48>	<-1>
IU33/2510 33	122	92	83	51	<43>	78	<29>
IU35/3010 33	92	62	53	<21>	<13>	<48>	<-1>

	385/65 R22,5"	385/55 R22,5"	385/65 R19,5"	435/50 R19,5"	445/45 R19,5"	275/70 R22,5"	265/70 R19,5"
IU25/2000 42	87	57	<48>	<16>	<8>	<43>	<-6>
IU28/2005 42	117	87	78	<46>	<38>	73	<24>
IU30/2505 42	87	57	<48>	<16>	<8>	<43>	<-6>
IU33/2510 42	117	87	78	<46>	<38>	73	<24>
IU35/3010 42	87	57	<48>	<16>	<8>	<43>	<-6>

	385/65 R22,5"	385/55 R22,5"	385/65 R19,5"	435/50 R19,5"	445/45 R19,5"	275/70 R22,5"	265/70 R19,5"
IU29/2000 41	112	82	73	<41>	<33>	68	<19>
IU31/2500 41	82	52	<43>	<11>	<3>	<38>	<-11>
IU34/2505 41	112	82	73	<41>	<33>	68	<19>
IU36/3005 41	82	52	<43>	<11>	<3>	<38>	<-11>
IU39/3010 41	112	82	73	<41>	<33>	68	<19>
IU42/3015 41	135	105	96	64	56	91	<42>

	385/65 R22,5"	385/55 R22,5"	385/65 R19,5"	435/50 R19,5"	445/45 R19,5"	275/70 R22,5"	265/70 R19,5"
IU30/2000 47	130	100	91	59	51	86	<37>
IU32/2500 47	102	72	63	<31>	<23>	58	<9>
IU35/2505 47	130	100	91	59	51	86	<37>
IU37/3005 47	102	72	63	<31>	<23>	58	<9>
IU40/3010 47	130	100	91	59	51	86	<37>
IU42/3510 47	102	72	63	<31>	<23>	58	<9>

	385/65 R22,5"	385/55 R22,5"	385/65 R19,5"	435/50 R19,5"	445/45 R19,5"	275/70 R22,5"	265/70 R19,5"
IU27/2000 47 V90	102	72	63	<31>	<23>	58	<9>

Acceval Prescribes a Minimum Groundclearance of 50 mm (See Table).
All Values Below 50 mm are the Responsibility of the Customer.

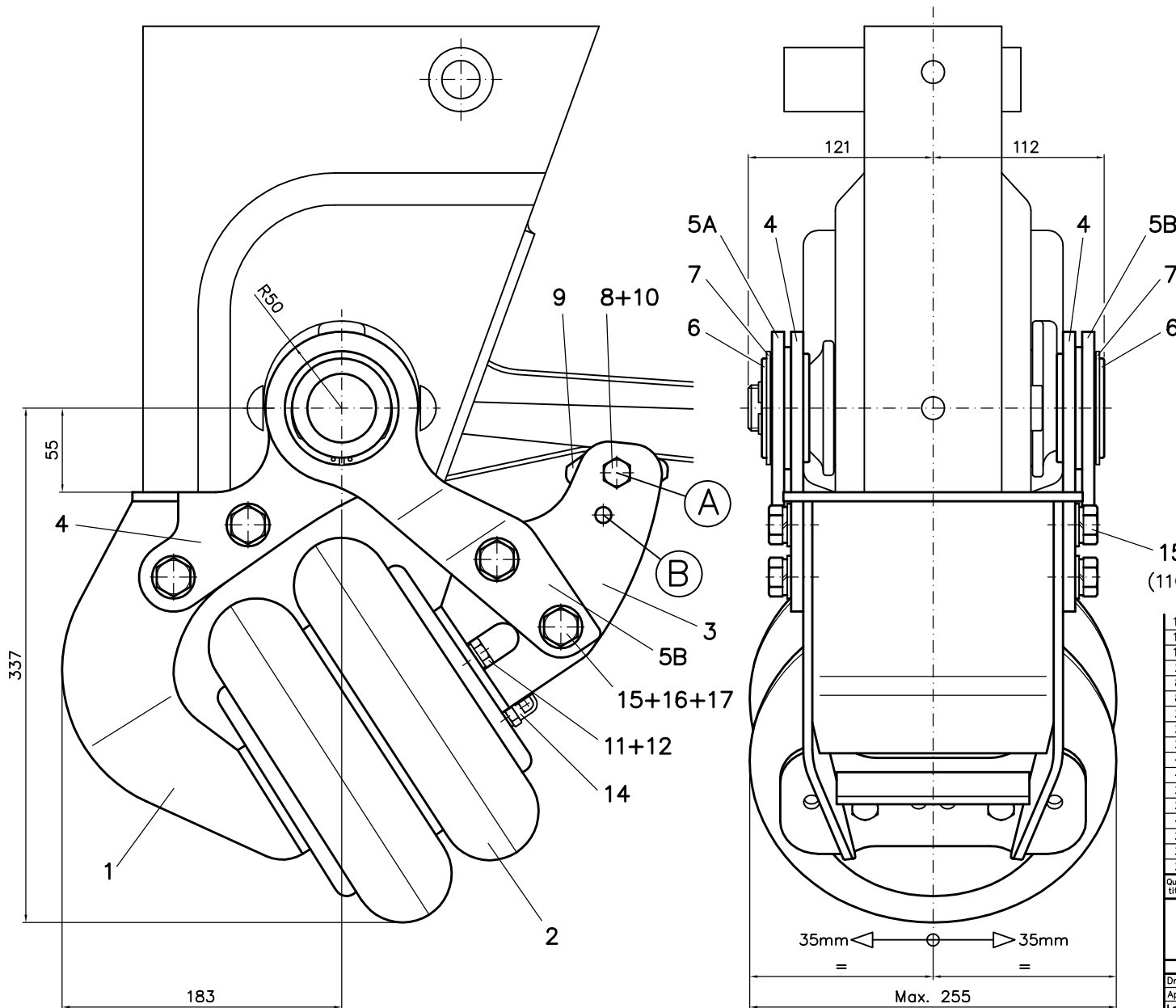
Acceval EBM-9



Axle Lift Kit for
SAF MODUL Series
Suspensions

For Welded or Bolted
Hanger Bracket

Quick Assembly



UTILIZATION OF THIS AXLE LIFT KIT

- * For SAF MODUL Edition 2010-09:
 - + M../...EN29 & M../...EN31.
 - + EO../...EN29 & EO../...EN31.
 - + M../...S27 & M../...S31.
- * For SAF MODUL Edition 2003-11:
 - + M../...E (29-31).
 - + M../...N (27-29-31).
 - + M../...S (27-31).
- * With Disc Brakes or Drum Brakes.
- * With Adjustable or Fixed Spring Bearing.
- * With Single or Double Tyres.
- * Only for "Steel" Hanger Bracket.
(Not for "Cross Member" Bracket or "Aluminium" Hanger Bracket)

ADJUSTMENT SELECTION

Position "A" or "B" for Rubber Bumper (9) has to be previously determined, according to variant of suspension, by means of separate document "Selection of Rubber Bumper Position"

MAX. OPERATING AIR PRESSURE 8 BAR

15+16+17
(110-120 Nm)

16	Grower Washer	17	A/R. M14	DIN127 B Zinc	EBM9-17
16	Plain Washer	16	A/R. M14	DIN125 Zinc	EBM9-16
16	Bolt	15	A/R. M14x2,0xL=40	DIN933 8.8 Zinc.	EBM9-15
2	Push-in Fitting R1/4-T8	14	A/R. Norgren	101470828	EDD1-14
8	Grower Washer	12	A/R. M10	DIN127 B Zinc	EDD1-22
8	Bolt	11	A/R. M10x1,5xL=25	DIN933 8.8 Zinc.	EDD1-20
2	Self Locking Nut	10	A/R. M10x1,5	DIN985 Zinc. (W)	EDD1-21
2	Rubber Bumper	09	A/R. (W)		EBK7-09
2	Bolt	08	A/R. M10x1,5xL=160	DIN931 8.8 Zinc.(W)	EBK7-08
4	Retaining Ring	07	A/R. Seeger	AV-65	EBM9-07
4	Bearing	06	A/Draw. EBM9-06	F-114	EBM9-06
2	Upper Bracket Arm (L)	05B	A/Draw. EBM9-05B	S-355	EBM9-05B
2	Upper Bracket Arm (R)	05A	A/Draw. EBM9-05A	S-355	EBM9-05A
4	Lower Bracket Arm	04	A/Draw. EBM9-04	S-355	EBM9-04
2	Upper Bracket	03	A/Draw. EBM9-03	S-355	EBM9-03
2	Air Spring	02	A/R. CONTITECH	FD200-22	EDD1-02C
2	Lower Bracket	01	A/Draw. EBM9-01	S-355	EBM9-01
Quantity	Denomination	Numb.	Dimensions	Reference	Code

Date	Name	ACCEVAL	
Drawn 170908	A.MORENO	ACCESORIOS Y ELEVADORES VALENCIA, S.L.	
Approved 170908	A.MORENO		
Last Rev. 150711	A.MORENO		

Scale: **TWIN BAG AXLE LIFT KIT ADAPTABLE TO SAF MODUL SERIES SUSPENS.** Draw. Numb. **EBM9-00E**

Acceval EBM-9

Selection of Rubber Bumper Position

SAF MODUL / Edition 2010-09

M../....EN29		
<i>Suspension</i>	<i>Position</i>	
M36/2500EN29	A	
M38/2504EN29	A	
M40/2904EN29	A	
M42/2907EN29	A	
M43/2910EN29	A	
M46/3510EN29	A	

M../....EN31		
<i>Suspension</i>	<i>Position</i>	
M40/2500EN31	A	
M42/2504EN31	A	
M43/2904EN31	A	
M45/2907EN31	A	
M47/2910EN31	A	
M50/3510EN31	A	

EO../....EN29		
<i>Suspension</i>	<i>Position</i>	
EO41/2500EN29	A	
EO42/2900EN29	A	
EO44/2904EN29	A	
EO47/3504EN29	A	
EO49/3507EN29	A	
EO50/3510EN29	A	

EO../....EN31		
<i>Suspension</i>	<i>Position</i>	
EO44/2500EN31		B
EO46/2900EN31		B
EO48/2904EN31		B
EO50/3504EN31	A	
EO52/3507EN31		B
EO54/3510EN31		B

M../....S27		
<i>Suspension</i>	<i>Position</i>	
M36/2500S27	A	
M38/2504S27		B
M40/2904S27	A	
M42/2907S27		B
M43/2910S27		B
M46/3510S27	A	

M../....S31		
<i>Suspension</i>	<i>Position</i>	
M40/2500S31		B
M42/2504S31		B
M43/2904S31		B
M45/2907S31		B
M47/2910S31		B
M50/3510S31		B

SAF MODUL / Edition 2003-11

M../....E29		
<i>Suspension</i>	<i>Position</i>	
M36/2500 E29	A	
M38/2504 E29	A	
M40/2904 E29	A	
M42/2907 E29	A	
M43/2910 E29	A	
M46/3510 E29	A	

M../....N27		
<i>Suspension</i>	<i>Position</i>	
M36/2500 N27		B
M38/2504 N27		B
M40/2904 N27		B
M42/2907 N27		B
M43/2910 N27		B
M46/3510 N27		B

M../....E31		
<i>Suspension</i>	<i>Position</i>	
M40/2500 E31	A	
M42/2504 E31	A	
M43/2904 E31	A	
M45/2907 E31	A	
M47/2910 E31	A	
M50/3510 E31	A	

M../....N29		
<i>Suspension</i>	<i>Position</i>	
M36/2500 N29		B
M38/2504 N29		B
M40/2904 N29		B
M42/2907 N29		B
M43/2910 N29		B
M46/3510 N29		B

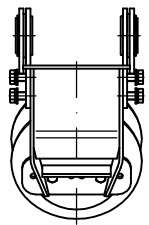
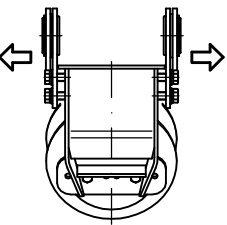
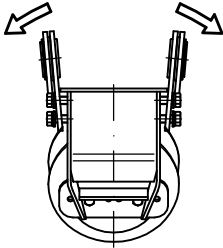
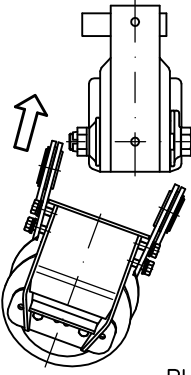
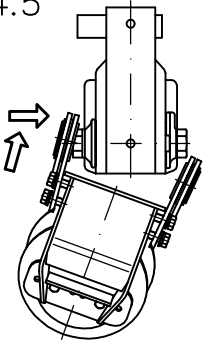
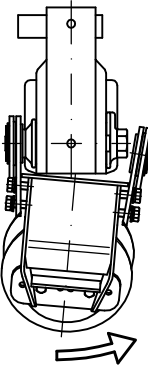
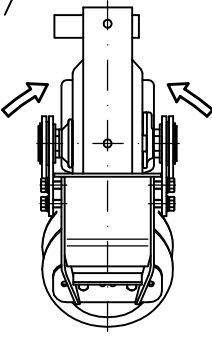
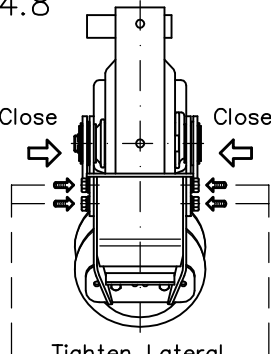
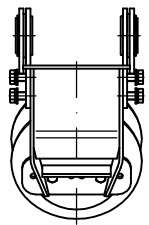
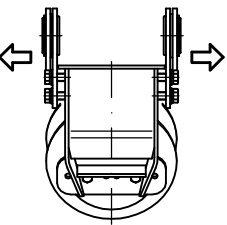
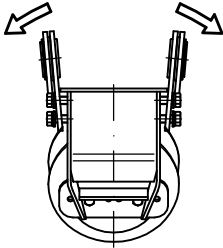
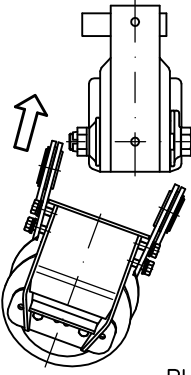
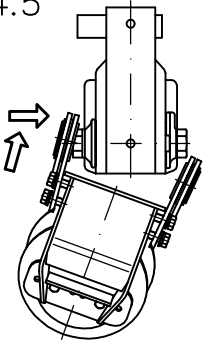
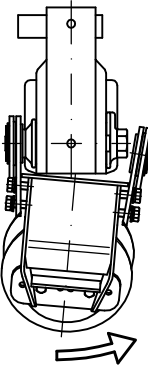
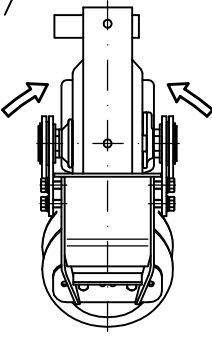
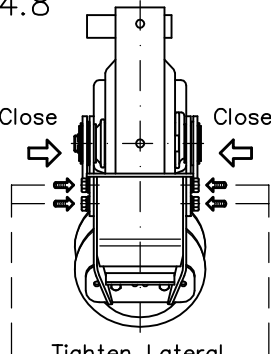
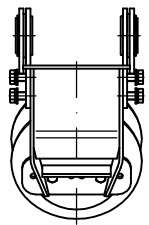
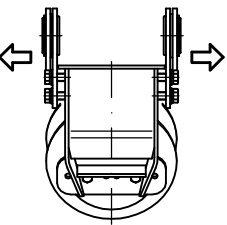
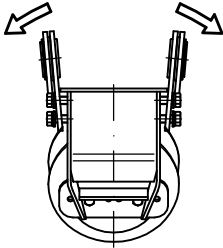
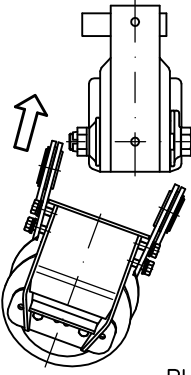
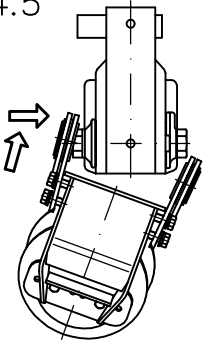
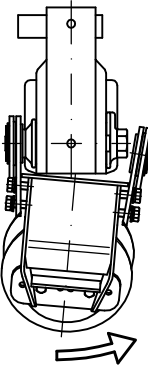
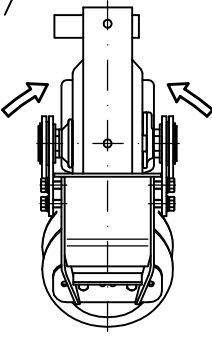
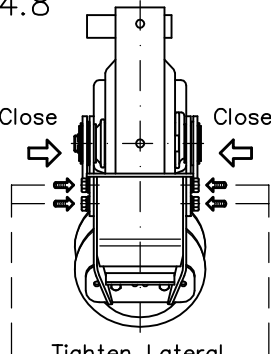
M../....S27		
<i>Suspension</i>	<i>Position</i>	
M36/2500 S27	A	
M38/2504 S27		B
M40/2904 S27	A	
M42/2907 S27		B
M43/2910 S27		B
M46/3510 S27	A	

M../....N31		
<i>Suspension</i>	<i>Position</i>	
M40/2500 N31		B
M42/2504 N31		B
M43/2904 N31		B
M45/2907 N31		B
M47/2910 N31		B
M50/3510 N31		B

M../....S31		
<i>Suspension</i>	<i>Position</i>	
M40/2500 S31		B
M42/2504 S31		B
M43/2904 S31		B
M45/2907 S31		B
M47/2910 S31		B
M50/3510 S31		B

Acceval EBM-9

Installation on Vehicle

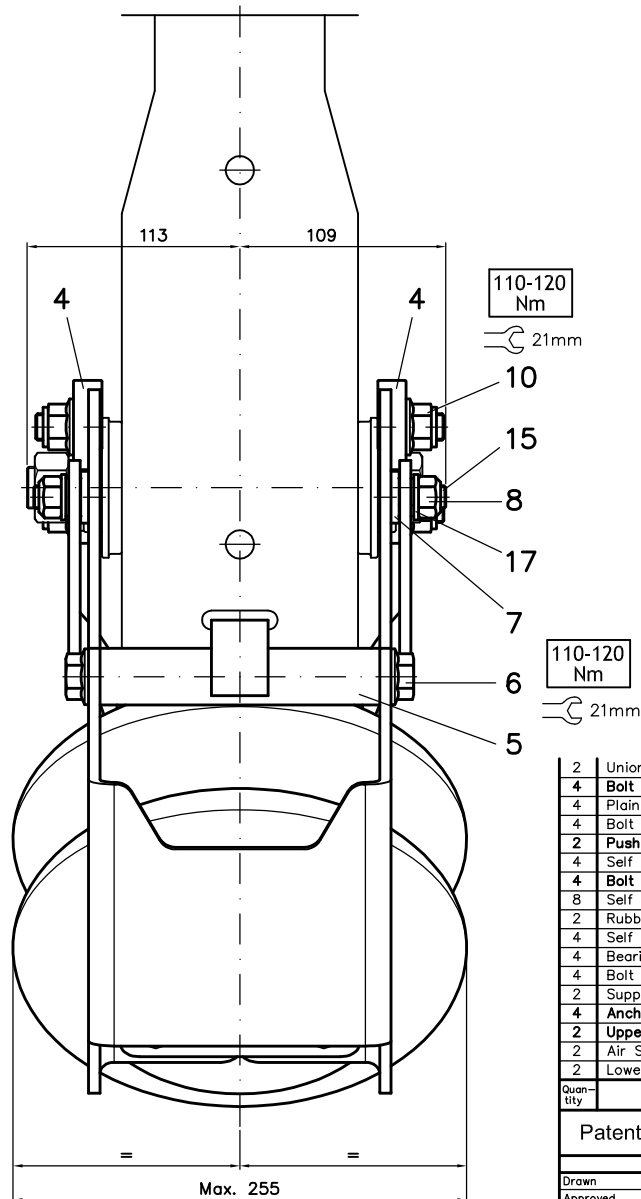
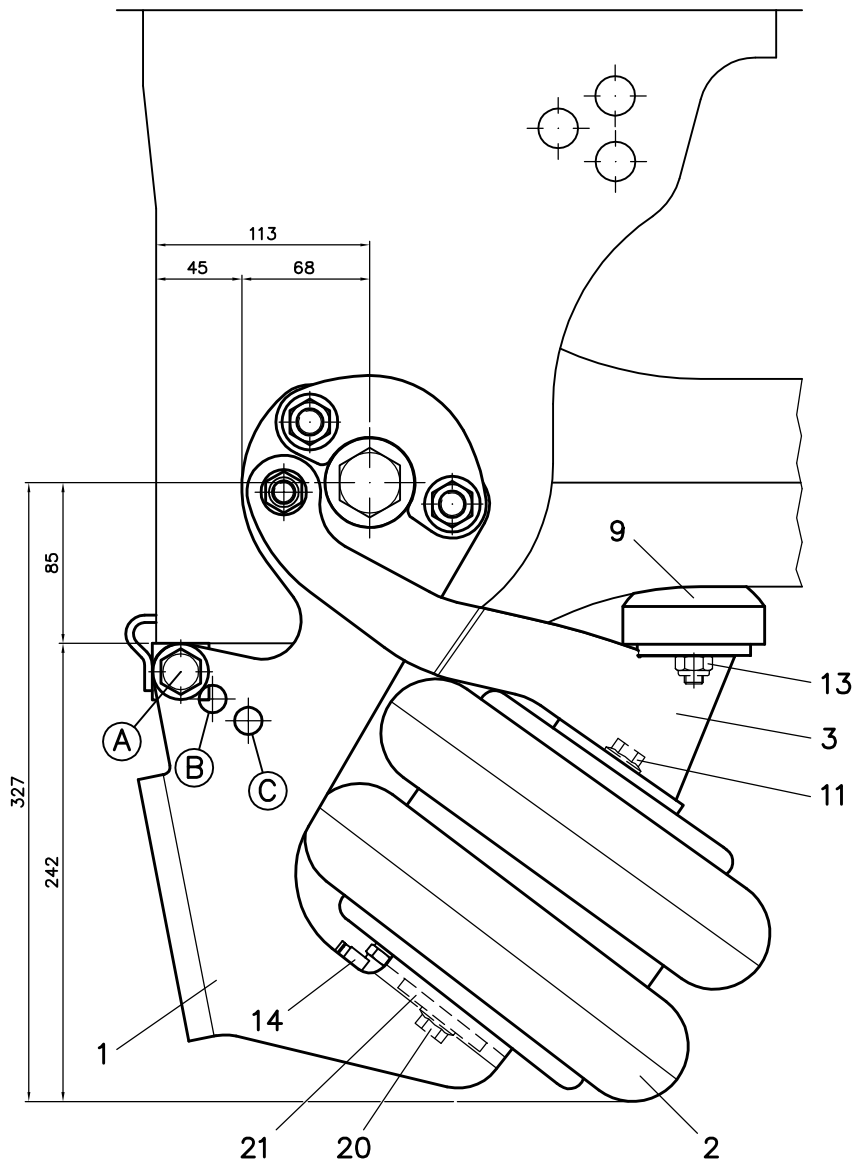
1	Place Airspring (2) as required (With or without 35mm offset) on ALK brackets (1, 3) according to single or double tyre. The four bolts (11) of each airspring (2) have to tighten if they are not already so (Depending of supply agreement).								
2	Dismantle Rubber Bumper (9).								
3	Press down the Airspring (2) and fit a plastic plug on the fitting (14) to keep it compressed.								
4	<p>Install Axle Lift Kit on Suspension Bracket: Insert both ALK bearings (6) on Pivot Bolt Head and Pivot Nut.</p> <p>Proposed Procedure to do not dismantle the ALK:</p> <table border="1" data-bbox="331 801 1517 1704"> <tr> <td data-bbox="331 801 608 1227"> <p>4.1</p> <p>Factory Supply</p>  <p>Not Tighten Lateral Bolts</p> </td> <td data-bbox="608 801 890 1227"> <p>4.2</p>  <p>Open Lateral Parts</p> </td> <td data-bbox="890 801 1173 1227"> <p>4.3</p>  <p>Turn/Open Lateral Parts</p> </td> <td data-bbox="1173 801 1517 1227"> <p>4.4</p>  <p>Place</p> </td> </tr> <tr> <td data-bbox="331 1272 608 1704"> <p>4.5</p>  <p>Insert One Side</p> </td> <td data-bbox="608 1272 890 1704"> <p>4.6</p>  <p>Turn</p> </td> <td data-bbox="890 1272 1173 1704"> <p>4.7</p>  <p>Insert Other Side</p> </td> <td data-bbox="1173 1272 1517 1704"> <p>4.8</p>  <p>Tighten Lateral Bolts (110-120 Nm)</p> </td> </tr> </table>	<p>4.1</p> <p>Factory Supply</p>  <p>Not Tighten Lateral Bolts</p>	<p>4.2</p>  <p>Open Lateral Parts</p>	<p>4.3</p>  <p>Turn/Open Lateral Parts</p>	<p>4.4</p>  <p>Place</p>	<p>4.5</p>  <p>Insert One Side</p>	<p>4.6</p>  <p>Turn</p>	<p>4.7</p>  <p>Insert Other Side</p>	<p>4.8</p>  <p>Tighten Lateral Bolts (110-120 Nm)</p>
<p>4.1</p> <p>Factory Supply</p>  <p>Not Tighten Lateral Bolts</p>	<p>4.2</p>  <p>Open Lateral Parts</p>	<p>4.3</p>  <p>Turn/Open Lateral Parts</p>	<p>4.4</p>  <p>Place</p>						
<p>4.5</p>  <p>Insert One Side</p>	<p>4.6</p>  <p>Turn</p>	<p>4.7</p>  <p>Insert Other Side</p>	<p>4.8</p>  <p>Tighten Lateral Bolts (110-120 Nm)</p>						
5	Install Rubber Bumper (9) on required position (See separate document) but do not tighten the bolt.								
6	Remove plastic plug previously installed on airspring fitting.								
7	Tighten Rubber Bumper Bolt (8, 10).								
8	Connect Airspring Fittings to Air Supply.								

Acceval EBV-8



Axle Lift Kit for
JOST DCA
Suspensions

Quick Assembly



INSTALLATION NOTES

- 1) Support bar (5) position has to be previously determined according to the used suspension variant. (See separate document)
- 2) Axle lift kit utilization has to be previously verified according to the used combination between suspension variant and wheels dimensions. (See separate document)
- 3) Very important: Be sure that both Anchoring Plates (4) are perfectly resting on the alignment discs while the Anchoring Nuts (10) are being tightened.
- 4) Independently of the used installation sequence, it is very important that support bar (5) has to be perfectly resting under the hanger bracket base.
- 5) Non-interference between axle lift parts and hanger bracket bracing has to be verified (when lift axle is up and down, and for each different model of vehicle).

MAX. OPERATING AIR PRESSURE 8.5 BAR

2	Union Plate	21	A/Draw. EBV8-21		EBV8-21
4	Bolt	20	A/R. M10x1,5xL=30	DIN6921 10.9 Geom.	EBK6-20D
4	Plain Washer	17	A/R. M12	DIN125 Geomet	EDD1-09C
4	Bolt	15	A/R. M12x1,75xL=35	DIN7991 10.9 Geom.	EBN5-05
2	Push-in Fitting R1/4-T8	14	A/R. Aignep	57111 8 1/4	EDD1-14 AP
4	Self Locking Nut	13	A/R. M10x1,5	DIN985 C.10 Geomet	EDD1-21C
4	Bolt	11	A/R. M10x1,5xL=25	DIN6921 10.9 Geom.	EDD1-20D
8	Self Locking Nut	10	A/R. M14x2,0	DIN6927 C.10 Geom.	EBT8-10
2	Rubber Bumper	09	A/Draw. EBL1-09		EBL1-09
4	Self Locking Nut	08	A/R. M12x1,75	DIN980 Geomet	EBR4-08
4	Bearing	07	A/Draw. EBQ4-07B		EBQ4-07B
4	Bolt (+Eslock)	06	A/R. M14x2,0xL=30	EN1665:1997 10.9 Geom	EBT8-06
2	Support bar	05	A/Draw. EBV8-05		EBV8-05
4	Anchoring Plate	04	A/Draw. EBV8-04F		EBV8-04F
2	Upper Bracket	03	A/Draw. EBV8-03		EBV8-03
2	Air Spring	02	A/R. ACCEVAL		EDD1-02D
2	Lower Bracket	01	A/Draw. EBV8-01		EBV8-01
Quantity	Denomination	Numb.	Dimensions	Reference	Code

Patent Aceval: EP 2 930 089 A1

Date	Name
Drawn 120918	A.MORENO
Approved 120918	A.MORENO
Last Rev. 031019	A.MORENO

ACCEVAL
ACCESORIOS Y ELEVADORES VALENCIA, S.L.

Scale

**AXLE LIFT KIT ADAPTABLE TO
JUST DCA SUSPENSIONS**

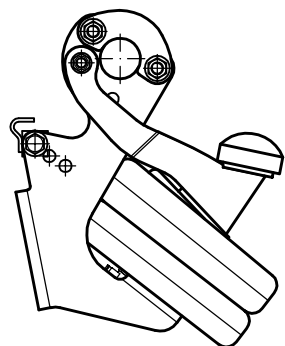
Dfaw. Numb.

EBV8-00E

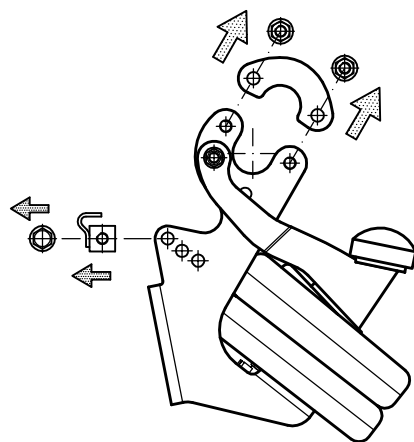
EBV-8

INSTALLATION ON JOST DCA SUSPENSIONS

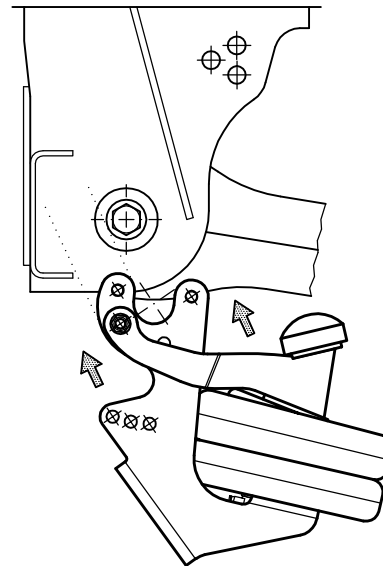
1



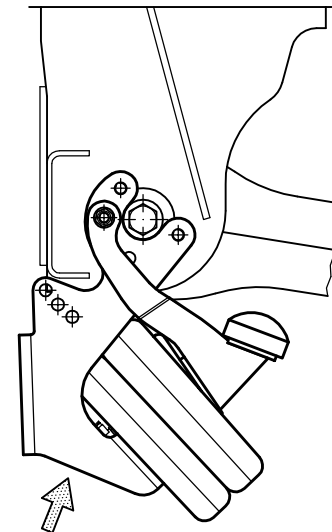
2



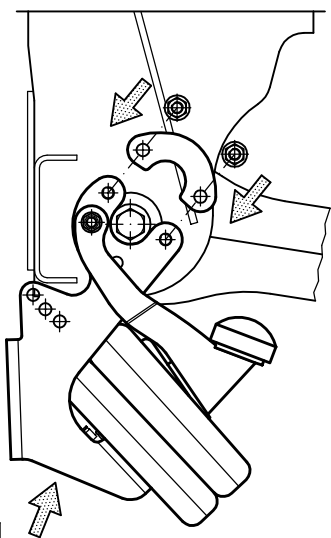
3



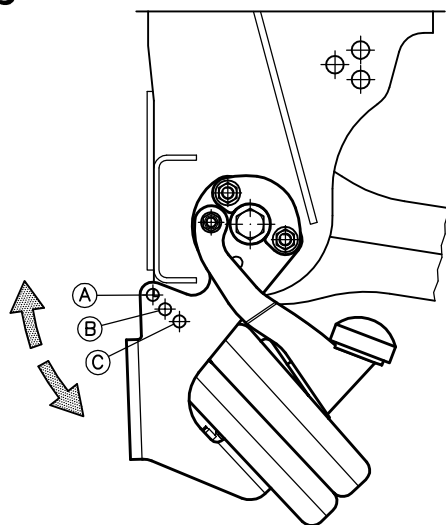
4



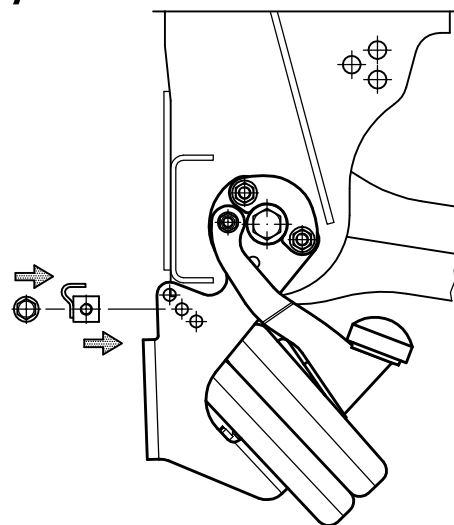
5



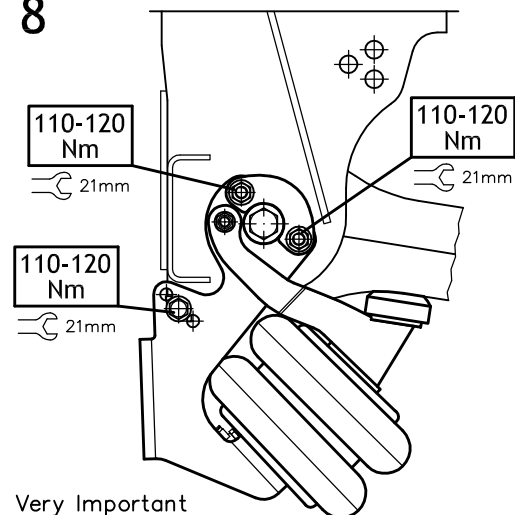
6



7



8



Very Important
Both Anchoring Plates must be resting on the minor diameter of alignment discs while the Anchoring Nuts are being tightened.

Suspension Codes from 2018-04

DCA - 002	
RH	AXLE LIFT POSITION
250	A
280	
290	B
300	
315	
320	A
345	

DCA - 003	
RH	AXLE LIFT POSITION
340	B
350	
360	
400	
430	
440	
450	
460	
500	

DCA - 005	
RH	AXLE LIFT POSITION
250	A
275	
325	

DCA - 006	
RH	AXLE LIFT POSITION
350	B
400	
425	

DCA - 009	
RH	AXLE LIFT POSITION
270	B
310	

DCA - 010	
RH	AXLE LIFT POSITION
355	B
420	
450	

DCA - 012	
RH	AXLE LIFT POSITION
245	B
270	

DCA - 014	
RH	AXLE LIFT POSITION
330	C
400	
460	B

DCA - 015	
RH	AXLE LIFT POSITION
380	C
400	
420	
390	B
430	C
450	
470	

DCA - 016	
RH	AXLE LIFT POSITION
380	C
400	
420	
390	B
430	C
450	
470	

DCA - 017	
RH	AXLE LIFT POSITION
400	C
430	
480	

DCA - 020	
RH	AXLE LIFT POSITION
350	B
400	C
430	B
460	C
470	B

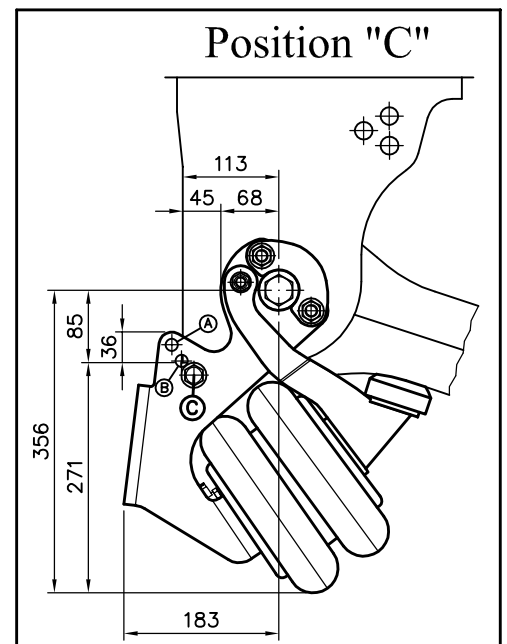
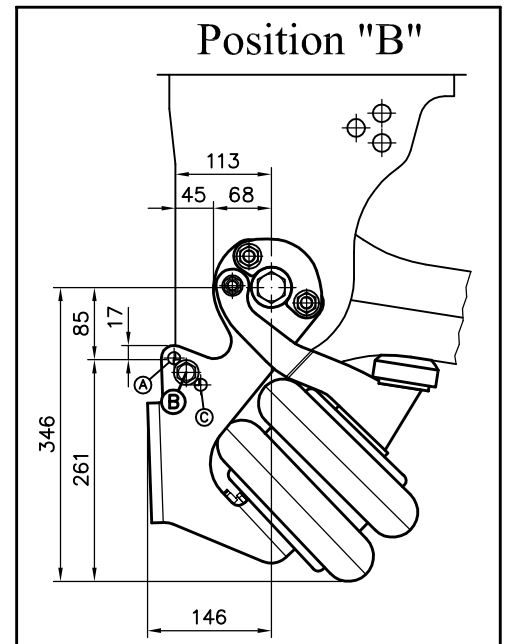
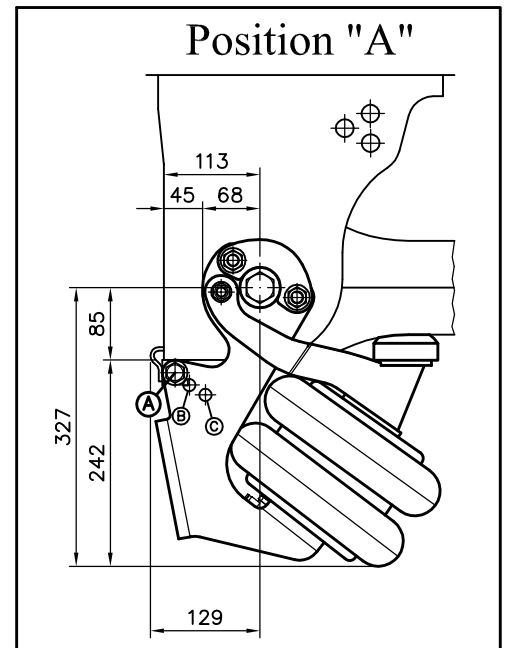
DCA - 021	
RH	AXLE LIFT POSITION
350	B
400	C
430	B
460	C
470	B

DCA - 022	
RH	AXLE LIFT POSITION
390	C
420	
450	
500	
530	

DCA - 025	
RH	AXLE LIFT POSITION
380	C
430	
490	
510	

DCA - 028	
RH	AXLE LIFT POSITION
235	B
320	

DCA - 029	
RH	AXLE LIFT POSITION
380	C
430	
490	
510	



Suspension Codes before 2018-04

DCA - 1000 (1080/1083)	
RH	AXLE LIFT POSITION
250	A
300	B
350	
400	
450	
500	

DCA - 1001	
RH	AXLE LIFT POSITION
210	A

DCA - 1003	
RH	AXLE LIFT POSITION
280	A
290	B
315	
320	
340	A
345	
360	
430	
440	
460	B

DCA - 1005	
RH	AXLE LIFT POSITION
250	A
275	
325	
350	B
400	
425	

DCA - 1006	
RH	AXLE LIFT POSITION
335	B

DCA - 1010	
RH	AXLE LIFT POSITION
270	B
310	
355	
420	
450	

DCA - 1012	
RH	AXLE LIFT POSITION
245	B
270	
330	C
400	
460	B

DCA - 1015 (1081)	
RH	AXLE LIFT POSITION
380	C
400	
420	
390	B
430	C
450	
470	

DCA - 1016 (1082)	
RH	AXLE LIFT POSITION
380	C
400	
420	
390	B
430	C
450	
470	

DCA - 1017 (1085)	
RH	AXLE LIFT POSITION
400	C
480	

DCA - 1020	
RH	AXLE LIFT POSITION
350	B
400	C
430	B
460	C
470	B

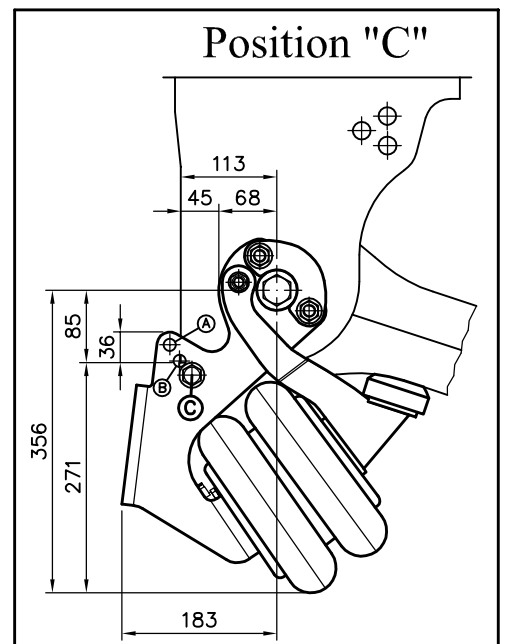
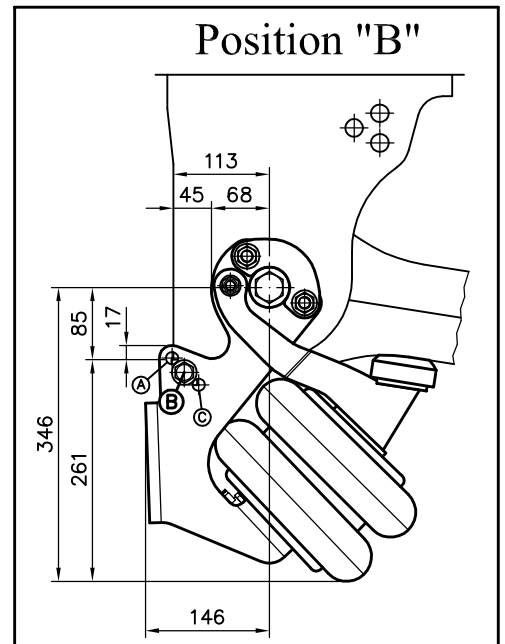
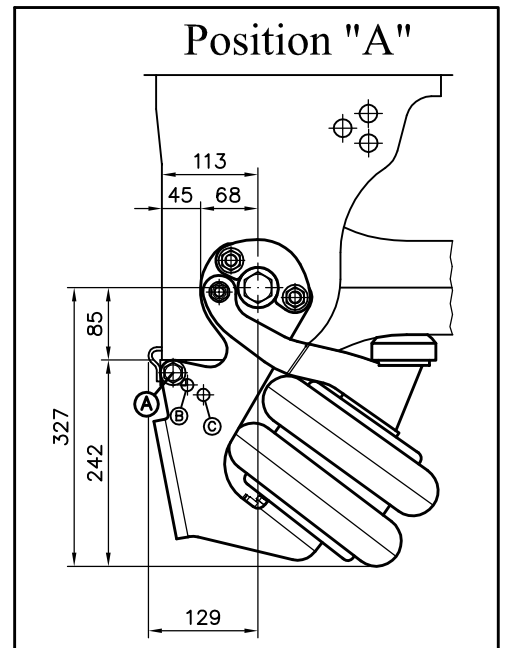
DCA - 1021	
RH	AXLE LIFT POSITION
350	B
400	C
430	B
460	C
470	B

DCA - 1022	
RH	AXLE LIFT POSITION
390	C
420	
450	
500	
530	

DCA - 1025	
RH	AXLE LIFT POSITION
380	C
430	
490	
510	

DCA - 1029	
RH	AXLE LIFT POSITION
380	C
430	
490	
510	

DCA - 1030	
RH	AXLE LIFT POSITION
235	B
320	



Minimum Axle Lift Ground Clearance (mm) : Laden Vehicle and Suspension Without Pressure

DCA - 002		385/65 R22,5"	385/55 R22,5"	385/65 R19,5"	435/50 R19,5"	445/45 R19,5"	275/70 R22,5"	265/70 R19,5"
RH	250	70	<40>	<31>	<-1>	<-9>	<26>	<-23>
	280	97	67	58	<26>	<18>	53	<4>
	290	106	76	67	<35>	<27>	62	<13>
	300	90	60	51	<19>	<11>	<46>	<-3>
	315	119	89	80	<48>	<40>	75	<26>
	320	136	106	97	65	57	92	<43>
	345	84	54	<45>	<13>	<5>	<40>	<-9>

DCA - 003		385/65 R22,5"	385/55 R22,5"	385/65 R19,5"	435/50 R19,5"	445/45 R19,5"	275/70 R22,5"	265/70 R19,5"
RH	340	169	139	130	98	90	125	76
	350	142	112	103	71	63	98	<49>
	360	101	71	62	<30>	<22>	57	<8>
	400	127	97	88	56	<48>	83	<34>
	430	139	109	100	68	60	95	<46>
	440	155	125	116	84	76	111	62
	450	99	69	60	<28>	<20>	55	<6>
	460	126	96	87	55	<47>	82	<33>
500	145	115	106	74	66	101	52	

DCA - 005		385/65 R22,5"	385/55 R22,5"	385/65 R19,5"	435/50 R19,5"	445/45 R19,5"	275/70 R22,5"	265/70 R19,5"
RH	250	76	<46>	<37>	<5>	<-3>	<32>	<-17>
	275	87	57	<48>	<16>	<8>	<43>	<-6>
	325	76	<46>	<37>	<5>	<-3>	<32>	<-17>

DCA - 006		385/65 R22,5"	385/55 R22,5"	385/65 R19,5"	435/50 R19,5"	445/45 R19,5"	275/70 R22,5"	265/70 R19,5"
RH	350	147	117	108	76	68	103	54
	400	107	77	68	<36>	<28>	63	<14>
	425	147	117	108	76	68	103	54

Acceval Prescribes a Minimum Ground Clearance of 50 mm (See Table) .
 All Values Below 50 mm are the Responsibility of the Customer.

Minimum Axle Lift Ground Clearance (mm) : Laden Vehicle and Suspension Without Pressure

DCA - 009		385/65 R22,5"	385/55 R22,5"	385/65 R19,5"	435/50 R19,5"	445/45 R19,5"	275/70 R22,5"	265/70 R19,5"
RH	270	86	56	<47>	<15>	<7>	<42>	<-7>
	310	103	73	64	<32>	<24>	59	<10>

DCA - 010		385/65 R22,5"	385/55 R22,5"	385/65 R19,5"	435/50 R19,5"	445/45 R19,5"	275/70 R22,5"	265/70 R19,5"
RH	355	100	70	61	<29>	<21>	56	<7>
	420	87	57	<48>	<16>	<8>	<43>	<-6>
	450	97	67	58	<26>	<18>	53	<4>

DCA - 012		385/65 R22,5"	385/55 R22,5"	385/65 R19,5"	435/50 R19,5"	445/45 R19,5"	275/70 R22,5"	265/70 R19,5"
RH	245	79	<49>	<40>	<8>	<0>	<35>	<-14>
	270	50	<20>					

DCA - 014		385/65 R22,5"	385/55 R22,5"	385/65 R19,5"	435/50 R19,5"	445/45 R19,5"	275/70 R22,5"	265/70 R19,5"
RH	330	129	99	90	58	50	85	<36>
	400	121	91	82	50	<42>	77	<28>
	460	112	82	73	<41>	<33>	68	<19>

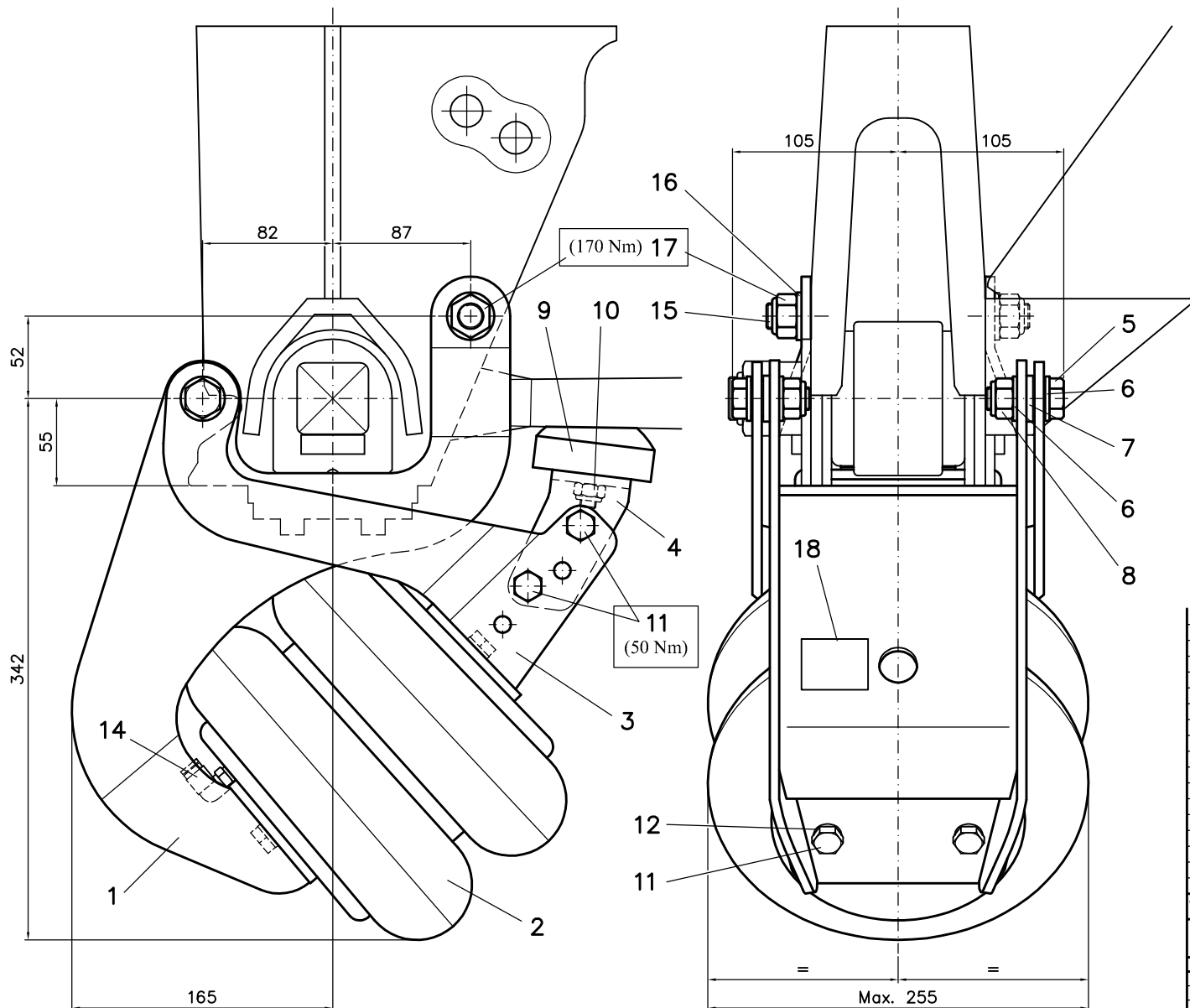
Acceval Prescribes a Minimum Ground Clearance of 50 mm (See Table) .
All Values Below 50 mm are the Responsibility of the Customer.

Acceval EBQ-2



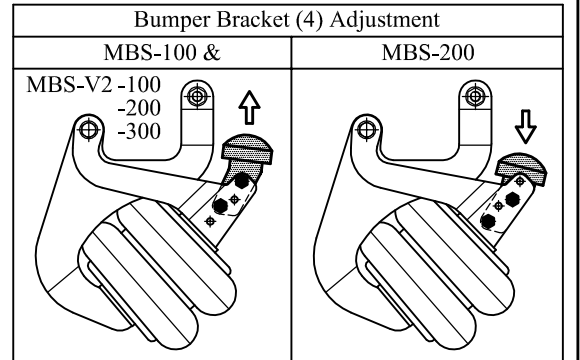
Axle Lift Kit for
VALX MBS-100 , MBS-200 &
MBS-V2 Series 100-200-300
(With Casted Bracing)
Suspensions

Quick Assembly



MBS-100: Utilization According to Wheels Dimensions
(MBS-200: Suitable with all indicated wheels dimensions)

WHEELS	SUSP.	MBS 110	MBS 120	MBS 130	MBS 140	MBS 150	MBS 160	MBS 170	MBS 180	MBS 190
385/65 R22.5		YES	YES	YES	YES	YES	YES	YES	YES	YES
385/55 R22.5		NO	YES	YES	YES	YES	YES	NO	YES	YES
385/65 R19.5		NO	YES	YES	NO	YES	YES	NO	YES	YES
435/50 R19.5		NO	NO	YES	NO	NO	YES	NO	NO	NO
445/45 R19.5		NO	NO	YES	NO	NO	NO	NO	NO	NO
275/70 R22.5		NO	YES	YES	NO	YES	YES	NO	YES	YES
265/70 R19.5		NO	NO	NO	NO	NO	NO	NO	NO	NO



MAX. OPERATING AIR PRESSURE 8 BAR

2	Alu-Sticker A. EBQ-2	18	A/R.		EBQ2-18
4	Self Locking Nut	17	A/R. M16x2,0	DIN985 A.Inox. A4	EDD2-10B
4	Plain Washer	16	A/R. M16	DIN125 A.Inox. A4	EDD2-09B
4	Bolt	15	A/R. M16x2,0xL=35	DIN933 10.9 Geomet	EBQ2-15C
2	Push-in Fitting R1/4-T8	14	A/R. NORGREEN	101470828	EDD1-14
8	Grower Washer	12	A/R. M10	DIN127 A.Inox. A4	EDD1-22B
16	Bolt	11	A/R. M10x1,5xL=25	DIN933 10.9 Geomet	EDD1-20C
4	Self Locking Nut	10	A/R. M10x1,5	DIN985 A.Inox. A4	EDD1-21B
2	Rubber Bumper	09	A/Draw. EBL1-09		EBL1-09
4	Self Locking Nut	08	A/R. M14x2,0	DIN985 A.Inox. A4	EBL8-10B
4	Arm Bearing	07	A/Draw. EBL8-07B		EBL8-07B
4	Plain Washer	06	A/R. M14	DIN125 A.Inox. A4	EBM9-16B
4	Bolt	05	A/R. M14x2,0xL=40	DIN933 10.9 Geomet	EBM9-15C
2	Bumper Bracket	04	A/Draw. EBQ2-04		EBQ2-04
2	Upper Bracket	03	A/Draw. EBQ2-03		EBQ2-03
2	Air Spring	02	A/R ACCEVAL		EDD1-02DK
2	Air Spring	02	A/R CONTITECH	FD200-22	EDD1-02C
2	Lower Bracket	01	A/Draw. EBQ2-01		EBQ2-01
Quantity	Denomination	Numb.	Dimensions	Reference	Code

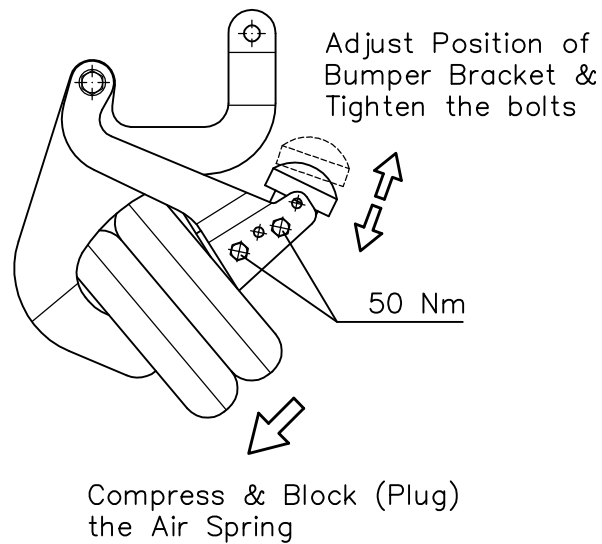
Drawn	Date	Name
Approved	060614	A.MORENO
Last Rev.	220317	A.MORENO

ACCEVAL
ACCESORIOS Y ELEVADORES VALENCIA, S.L.

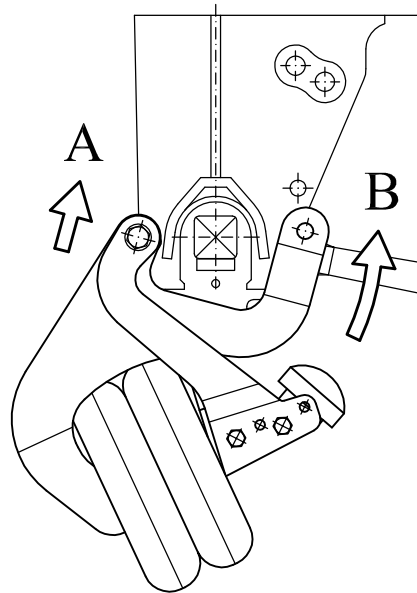
Scale	AXLE LIFT KIT ADAPTABLE TO VALX MBS-100 / MBS-200 & MBS-V2 SUSPENSIONS	Draw. Numb. EBQ2-00BE
-------	--	---------------------------------

EBQ-2: INSTALLATION ON VALX MBS-100/200 SUSPENSIONS

1- Previous

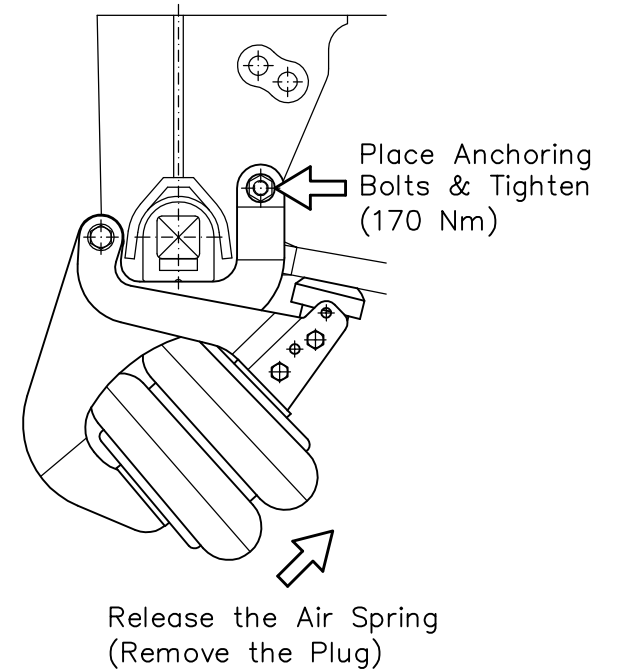


2- Positioning



Note: Front Side (A) must be Positioned at the beginning.

3- Anchoring

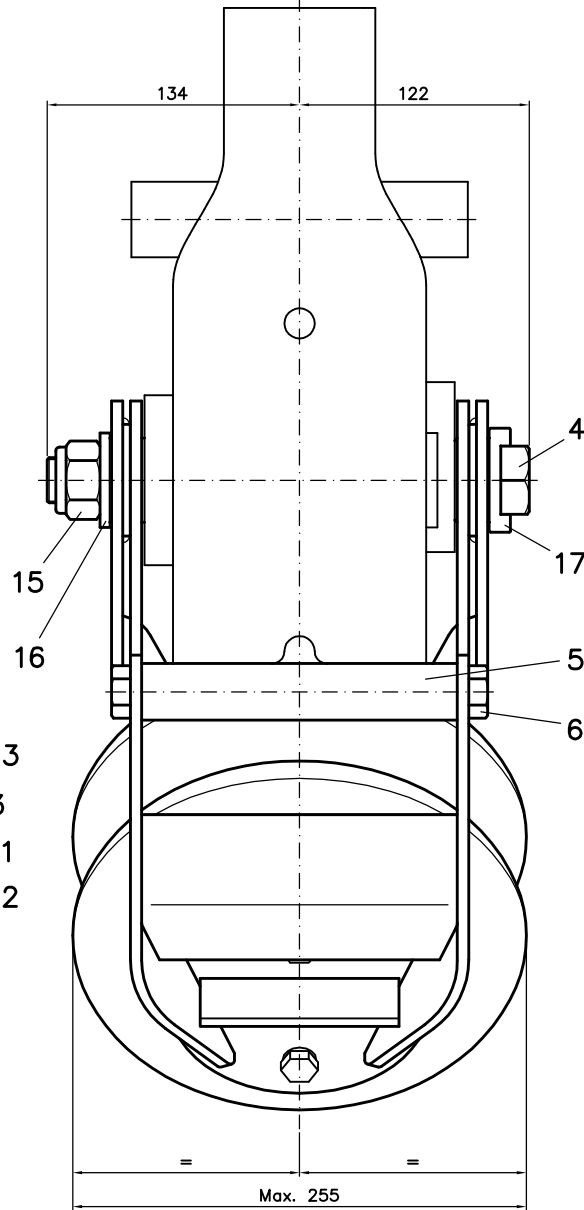
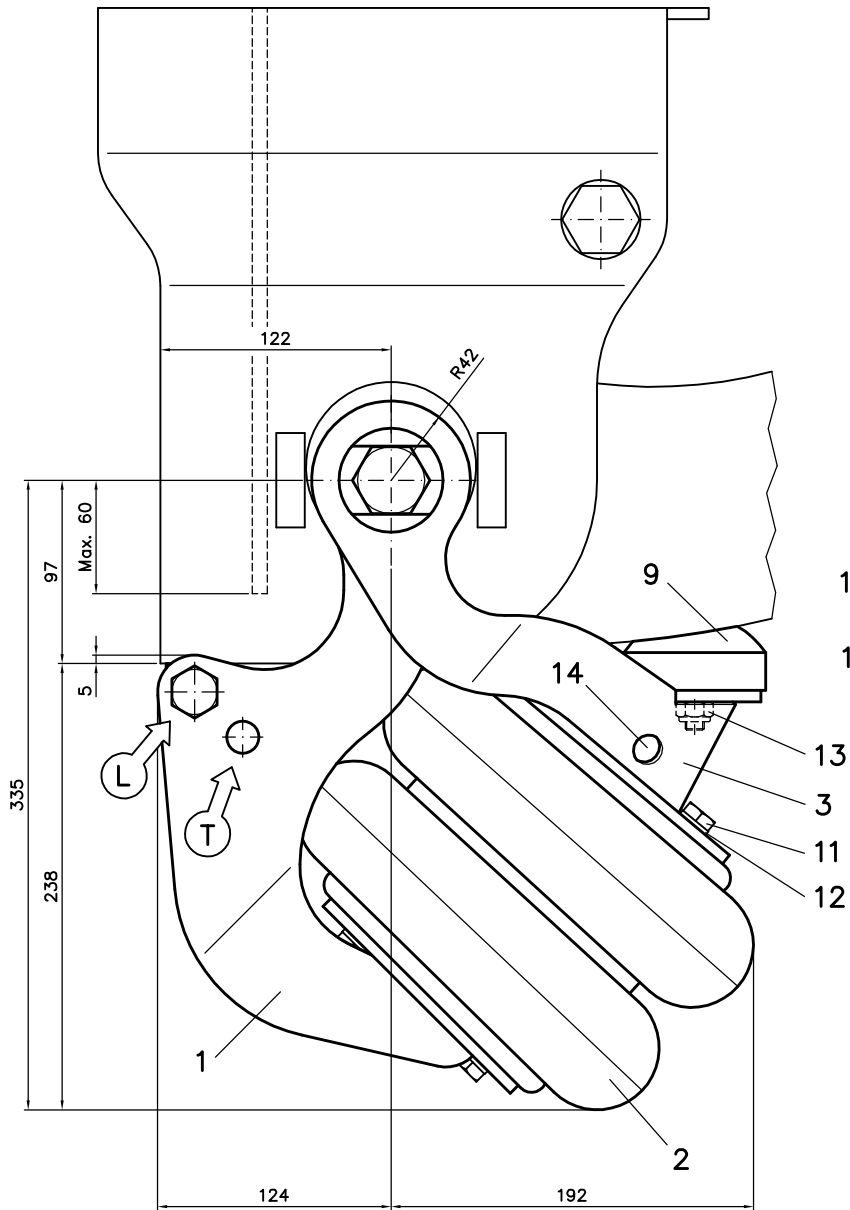


Acceval EBM-5



Axle Lift Kit for
Meritor CS9000
Suspensions

CS9000L & CS9000T



UTILIZATION OF EBM-5 WITH CS9000 L&T SUSP. ACCORDING TO WHEELS DIMENSIONS

SUSP. WHEELS	CS9000 L	CS9000 T
385/65 R22.5	YES	YES
385/55 R22.5	YES	YES
385/65 R19.5	YES	YES
435/50 R19.5	NO	YES
445/45 R19.5	NO	YES
275/70 R22.5	NO	YES
265/70 R19.5	NO	YES

MAX. OPERATING AIR PRESSURE 8 BAR

TORQUE SETTINGS (DRY)

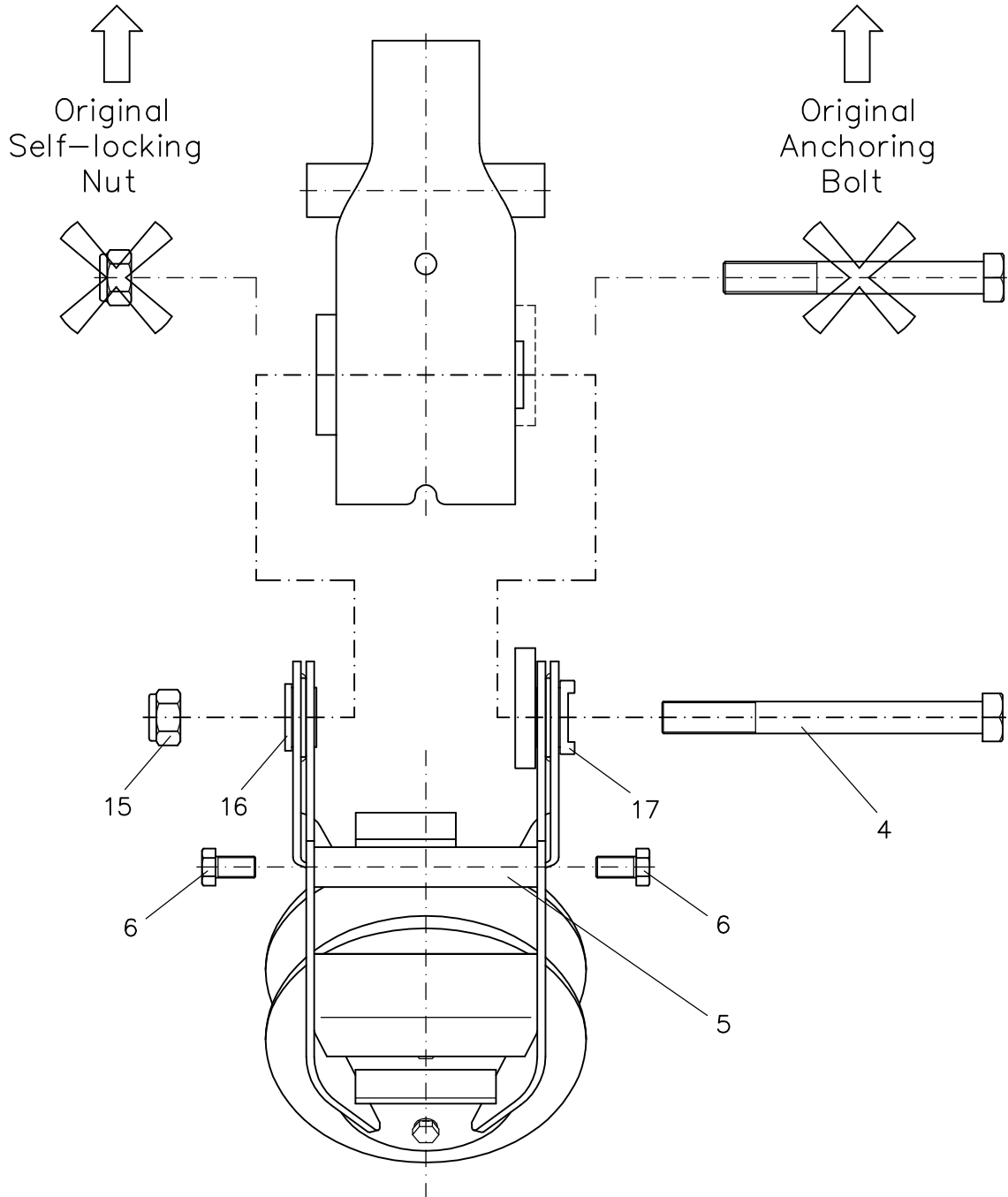
DESCRIPTION	TORQUE (Nm)
15 Pivot Nut (M24x2,0)	650-700
06 Support Bar Bolts	80-90
11 Air Bellow Bolts	40-50
13 Rubber Bumper Nuts	40-50
14 Air Fitting	20-25

2	Bearing (Ecc.)	17	A/Draw. EBM5-17	St. 42CrMoS4 D-T	EBM5-17
2	Bearing	16	A/Draw. EBM5-16	St. 42CrMoS4 D-T	EBM5-16
2	Pivot Nut	15	A/R. M24x2,0	DIN985	EBL5-07
2	Push-in Fitting R1/4-T10	14	A/R. NORGREEN	101471028	EDD1-15
2	Push-in Fitting R1/4-T8	14	A/R. NORGREEN	101470828	EDD1-14
4	Self Locking Nut	13	A/R. M10x1,5	DIN985 Zinc.	EDD1-21
8	Grower Washer	12	A/R. M10	DIN127 B Zinc.	EDD1-22
8	Bolt	11	A/R. M10x1,5xL=25	DIN933 8.8 Zinc.	EDD1-20
2	Rubber Bumper	09	A/Draw. EBL1-09	Nat. Rub. 75-80 S.	EBL1-09
4	Bolt	06	A/R. M16x2,0xL=30	DIN933 8.8 Zinc.	EBL2-06
2	Support bar	05	A/Draw. EBB5-05	Steel C15 D-T	EBB5-05
2	Pivot Bolt	04	A/R. M24x2xL=240	DIN931 10.9	EBL5-05
2	Upper Bracket	03	A/Draw. EBM5-03	Steel S-355 J2G3	EBM5-03
2	Air Spring	02	A/R. CONTITECH	FD200-22	EDD1-02C
2	Lower Bracket	01	A/Draw. EBM5-01	Steel S-355 J2G3	EBM5-01
Quantity	Denomination	Numb.	Dimensions	Reference	Code

Date		Name		ACCEVAL ACCESORIOS Y ELEVADORES VALENCIA, S.L.
Drawn	130706	A.MORENO		
Last Rev.	120607	A.MORENO		
Scale	AXLE LIFT KIT ADAPTABLE TO MERITOR CS9000L & CS9000T SUSPENSIONS			Draw. Numb. EBM5-00DE

ACCEVAL EBM-5

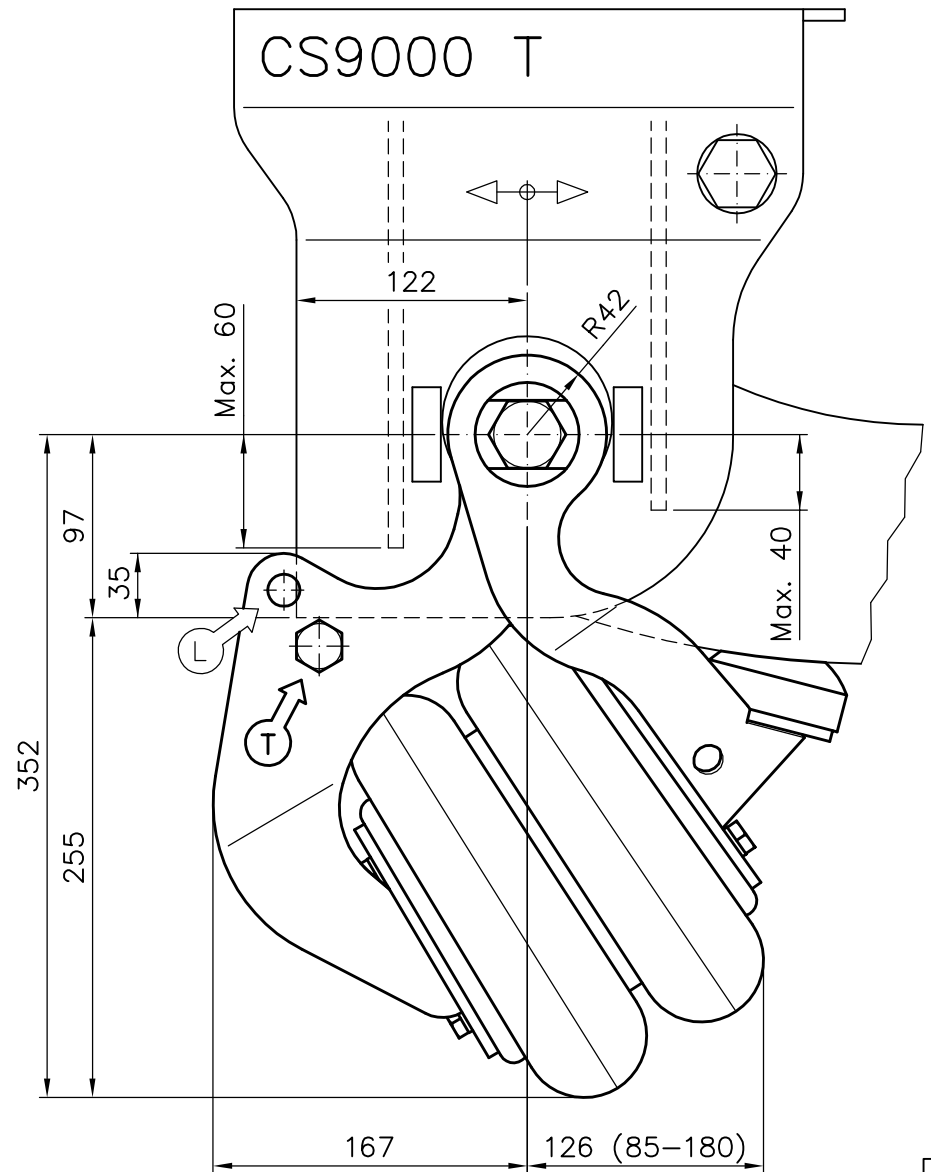
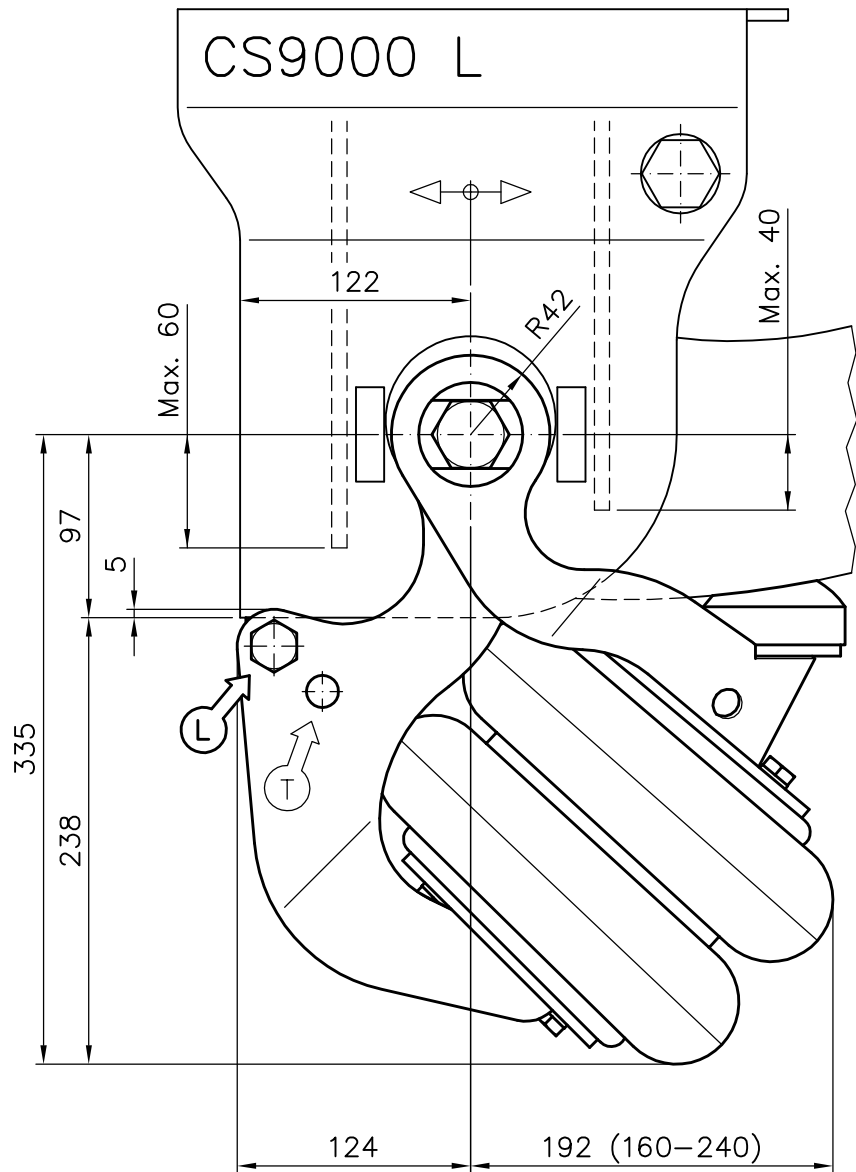
AXLE LIFT KIT ASSEMBLY ON MERITOR CS9000 L&T SUSPENSIONS



2	Anchoring Bearing (Exc.)	17	A/Draw. EBM5-17		EBM5-17
2	Anchoring Bearing	16	A/Draw. EBM5-16		EBM5-16
2	Self Locking Nut	15	A/R. M24x2,0	DIN985 10.9	EBL5-07
4	Bolt	06	A/R. M16x2,0xL=30	DIN933 8.8	EBL2-06
2	Support bar	05	A/Draw. EBB5-05		EBB5-05
2	Anchoring Bolt	04	A/R. M24x2xL=240	DIN931 10.9	EBL5-05
Quantity	Denomination	Numb.	Dimensions	Reference	Cod. P.35

EBM-5

INSTALLATION DIMENSIONS ON CS9000 "L" OR "T"

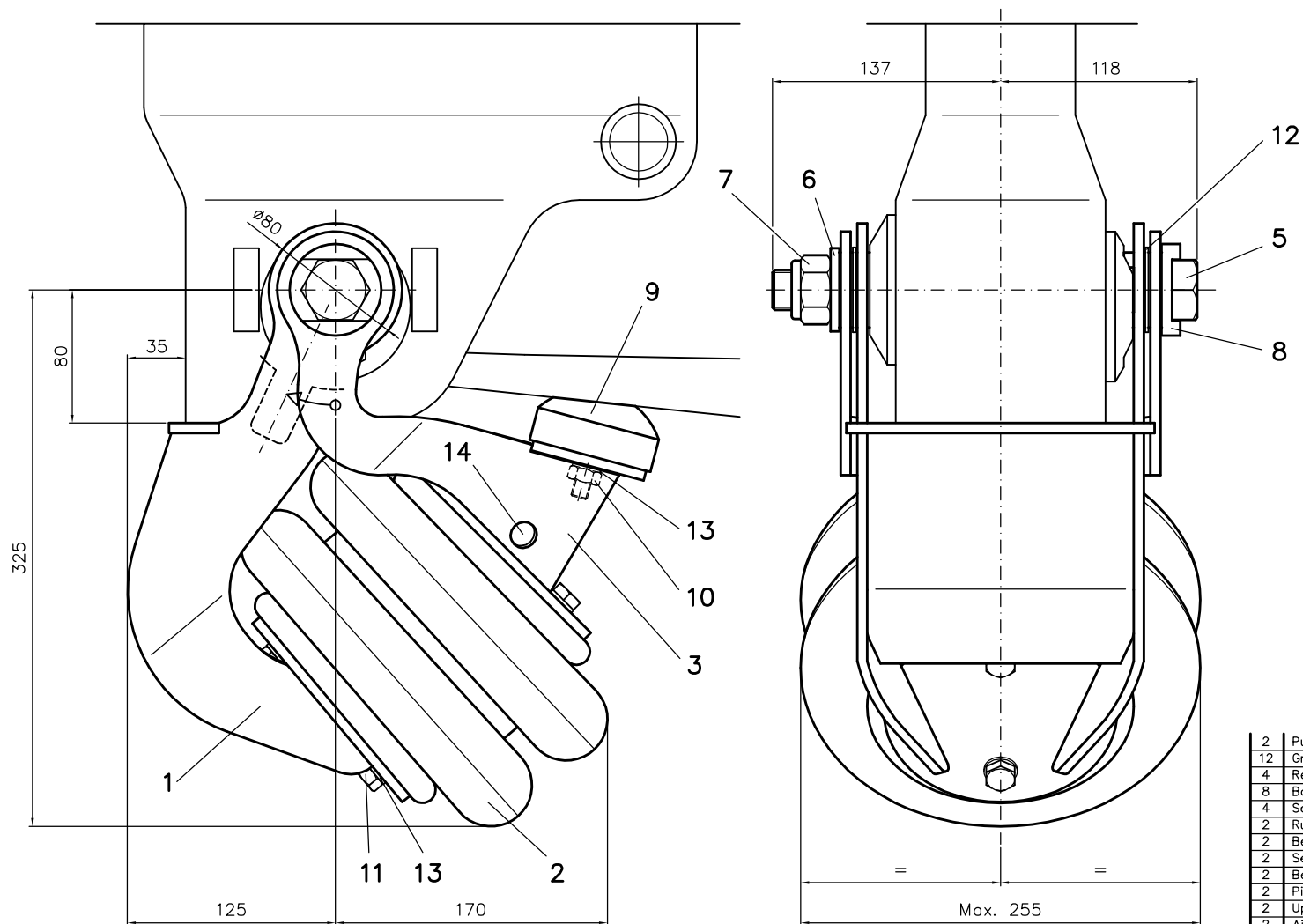


Acceval EBL-5



Axle Lift Kit for
Meritor FL9000
Suspensions

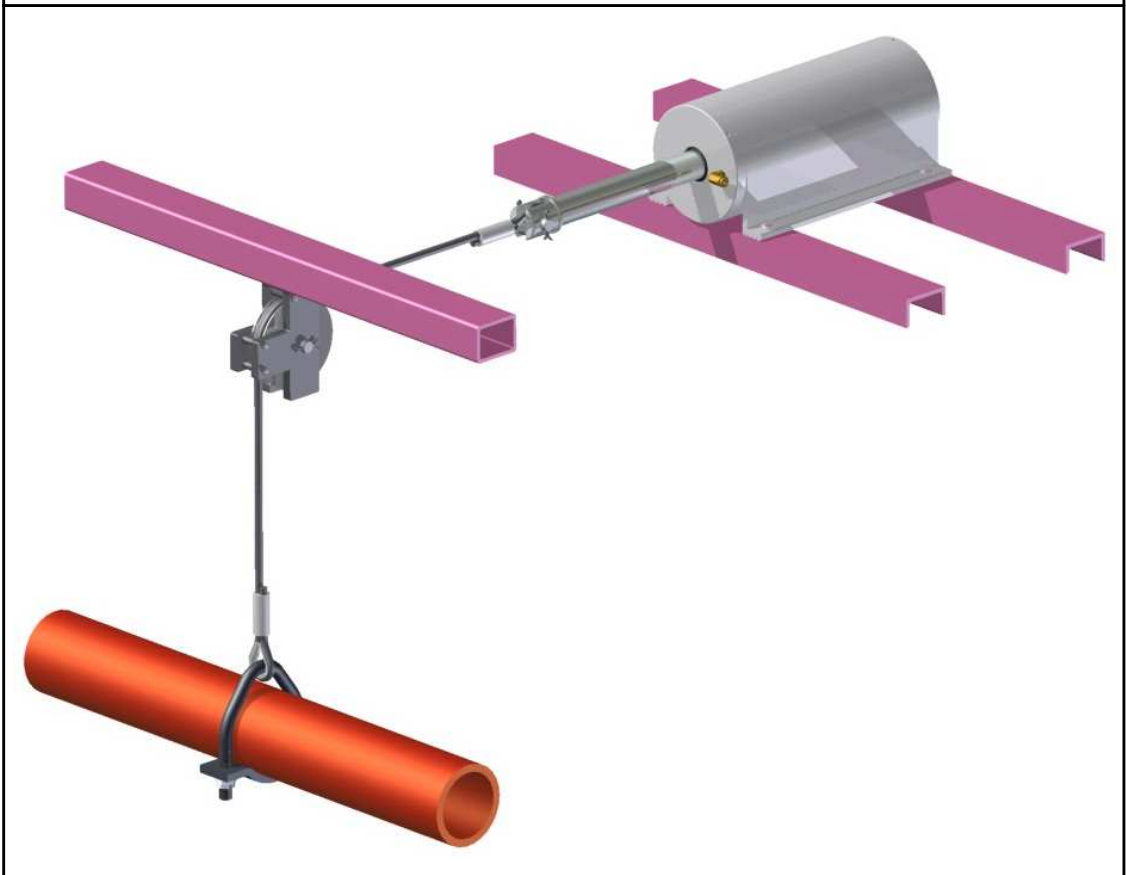
NB / NH / NBE / NBH



2	Push-in Fitting R1/4-T8	14	A/R. NORGREN	101470828	EDD1-14
12	Grower Washer	13	A/R. M10	DIN127 B ZINC	EDD1-22
4	Retaining Ring	12	A/R. SEEGER	Crescent Ring H45	EBL5-12
8	Bolt	11	A/R. M10x1,5xL=25	DIN933 8.8 Zinc.	EDD1-20
4	Self Locking Nut	10	A/R. M10x1,5	DIN985 Zinc.	EDD1-21
2	Rubber Bumper	09	A/Draw. EBL1-09		EBL1-09
2	Bearing (Ecc.)	08	A/Draw. EBL5-08		EBL5-08
2	Self Locking Nut	07	A/R. M24x2,0		EBL5-07
2	Bearing	06	A/Draw. EBL5-06		EBL5-06
2	Pivot Bolt	05	A/R. M24x2,0xL=240	DIN931 10.9 Zinc.	EBL5-05
2	Upper Bracket	03	A/Draw. EBL5-03		EBL5-03
2	Air Spring	02	A/R. CONTITECH	FD200-22	EDD1-02C
2	Air Spring	02	A/R. PHOENIX	2B12R	EDD1-02A
2	Lower Bracket	01	A/Draw. FBL5-01		FBL5-01
Quantity	Denomination	Numb.	Dimensions	Reference	Code

Date		Name		ACCEVAL ACCESORIOS Y ELEVADORES VALENCIA, S.L.
Drawn	140303	A.MORENO		
Last Rev.	281005	A.MORENO		
Scale	AXLE LIFT KIT ADAPTABLE TO MERITOR FL9000NB-NH-NBE-NBH SUSPENSIONS			Draw. Numb. EBL5-00E

Acceval ESN



Universal Axle Lift Kit
for Trailers with
Pneumatic Suspensions

ESN-1: Standard Stroke.

ESN-2: Large Stroke.

ESN AXLE LIFT KIT SPECIFICATIONS

APPLICATION	AIR SUSPENDED MULTIAXLE TRAILERS
LIFTING DEVICE	PNEUMATIC CYLINDER
CYLINDER MATERIAL	ALUMINIUM ALLOY
ROD MATERIAL	HARD CHROMED STEEL
PISTON MATERIAL	STEEL AND NBR
WORKING AREA	211 CM2
CYLINDER FORCE (6-8 BAR)	1260 - 1690 KG
MAXIMUM STROKE	295 MM (ESN-1)
	390 MM (ESN-2)
CYLINDER WEIGHT	18 KG (ESN-1)
	21 KG (ESN-2)
SCREW FOR PIPE FITTING	1/4" BSP
TRACTION ELEMENT	STEEL WIRE ROPE 6x19+1 Ø12 MM
WIRE WORKING LOAD	1800 KG
WIRE LENGTH	BY ORDER, FROM 950 MM TO 1600 MM
WIRE DEFLECTOR DEVICE	GUIDE PULLEY WITH ROLLER BEARING
AXLE SUPPORT	OPTIONAL: FOR 130 MM OR 150 MM SQUARE OR ROUND AXLE
COMPLETE KIT WEIGHT	24 KG (ESN-1)
	28 KG (ESN-2)

COMPONENTS OF AXLE LIFT KIT

PNEUMATIC CYLINDER	AXLE SUPPORT
WIRE ROPE	BOLTS AND PINS KIT
GUIDE PULLEY WITH SUPPORT	SCREWS KIT

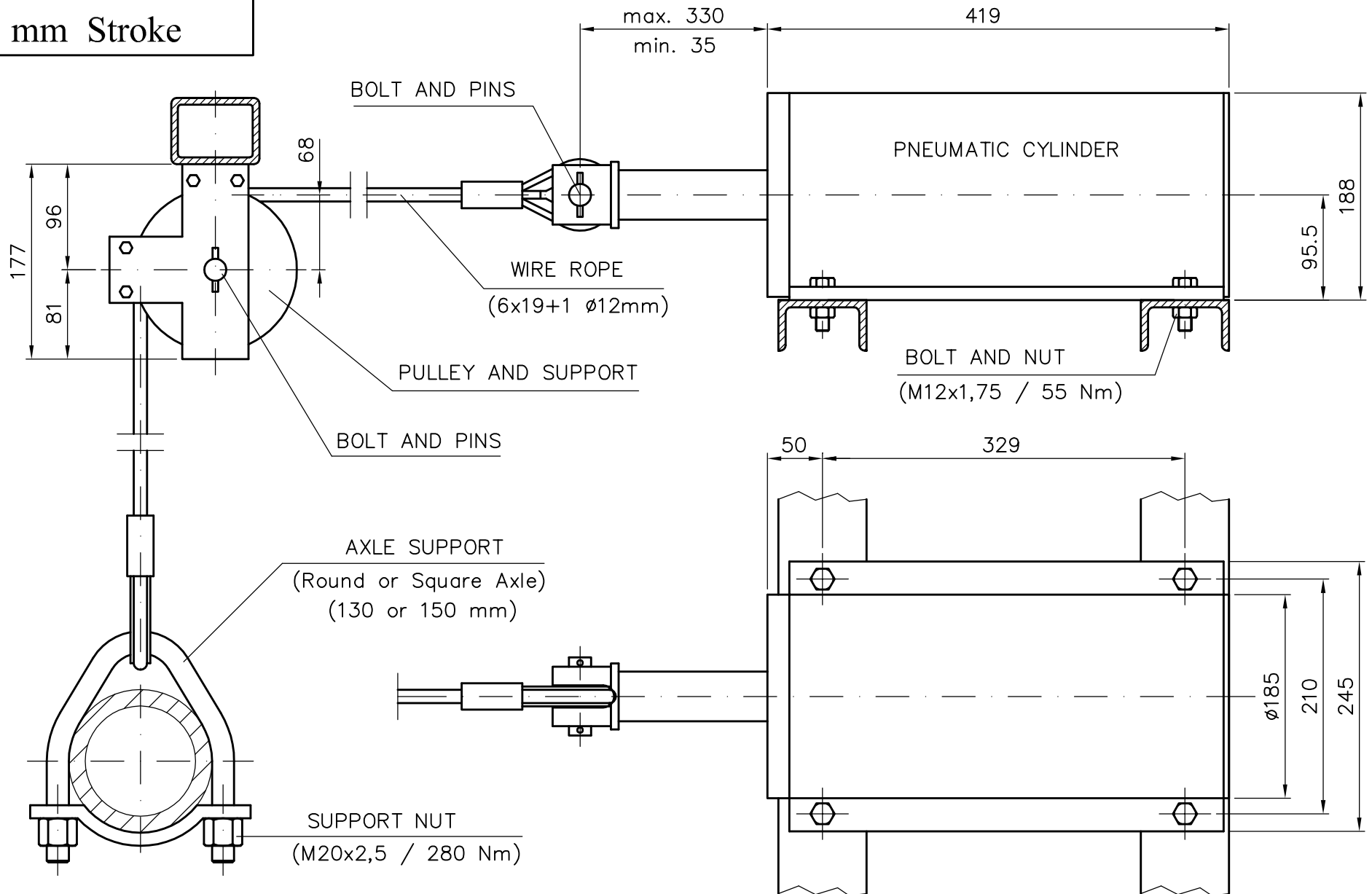
INSTALLATION OF AXLE LIFT KIT

PNEUMATIC CYLINDER HAS TO BE FITTED (BOLTS) OVER (OR UNDER) TWO GIRDERS (OUR PROPOSAL: 80 mm "U" BARS, WELDED AT THE VEHICLE FRAME)

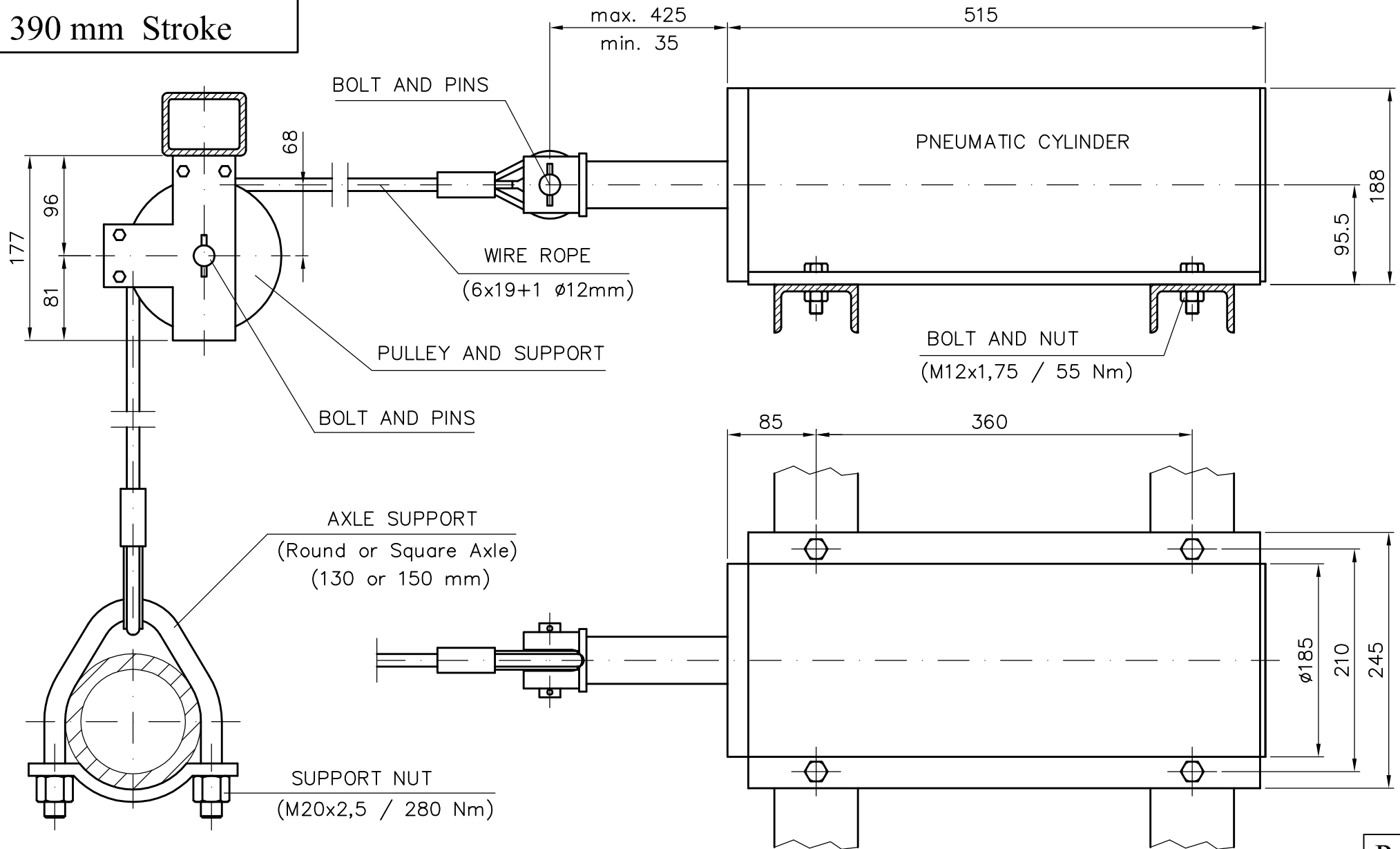
PULLEY SUPPORT HAS TO BE WELDED OVER (OR UNDER) ONE GIRDER (OUR PROPOSAL: 80x60x6 mm SQUARE TUBE, WELDED AT THE VEHICLE FRAME)

VERY IMPORTANT: WHEN THE VEHICLE IS AT THE RIDE HEIGHT, CYLINDER HAS TO BE A MARGIN TO REACH THE END OF HIS MINIMUM STROKE. THIS MUST BE SO TO AVOID DAMAGES WHEN THE VEHICLE IS OVER OF HIS RIDE HEIGHT.

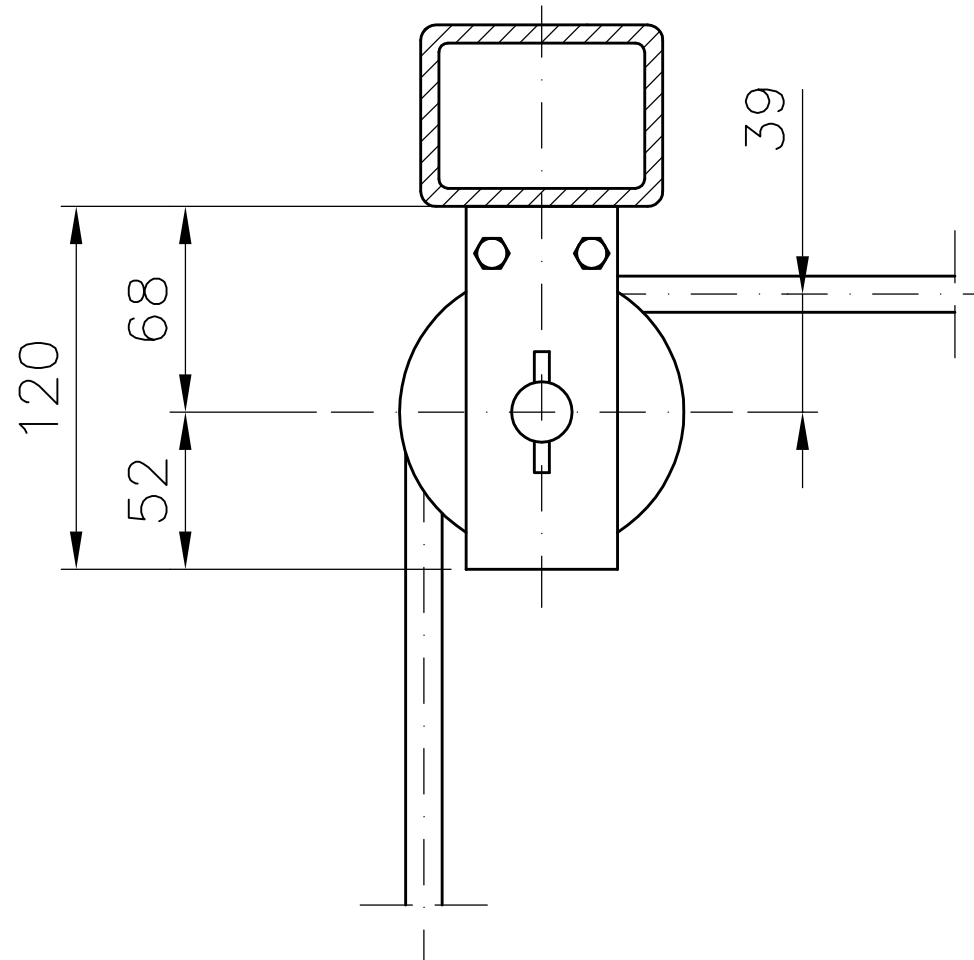
Acceval ESN-1
295 mm Stroke



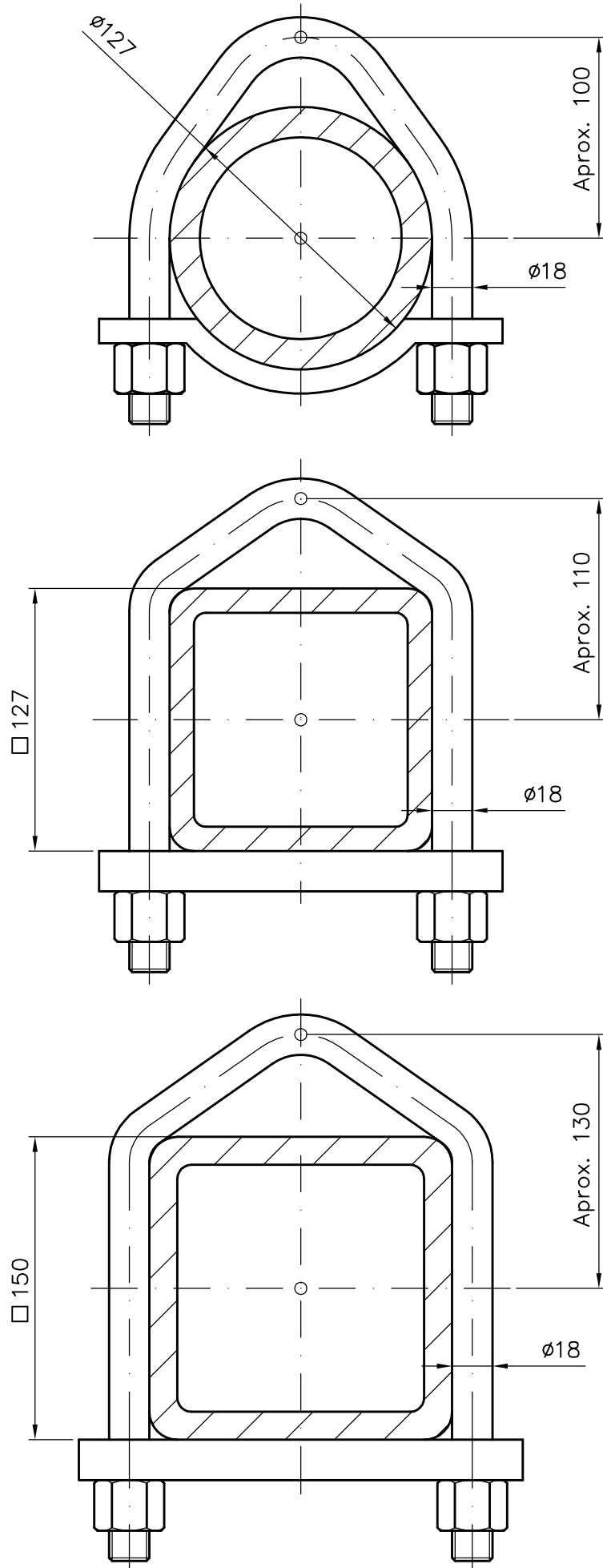
Acceval ESN-2
390 mm Stroke



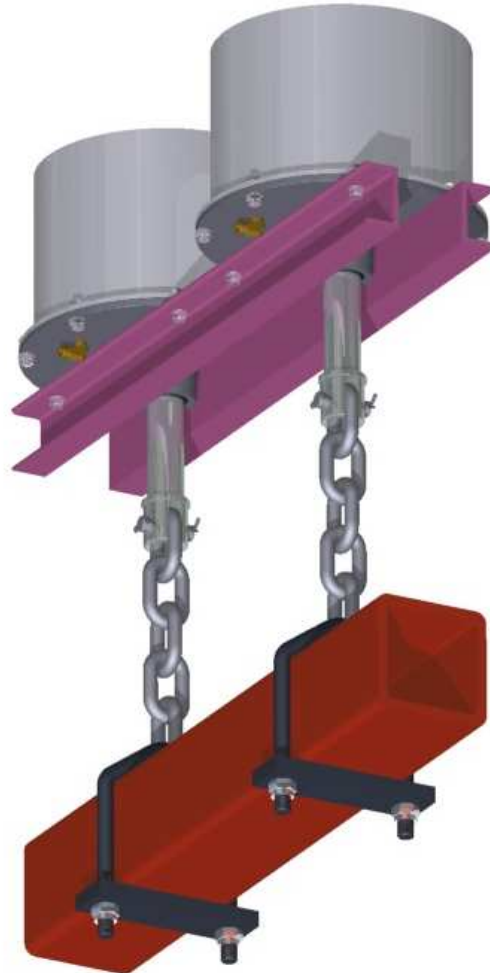
SPECIAL SMALL PULLEY FOR ULTRA-LOW VEHICLES



Axle Support Types & Dimensions



Acceval ESB



Universal Axle Lift Kit
for Trailers with
Mechanic Suspensions

ESB-1 AXLE LIFT KIT SPECIFICATIONS

APPLICATION	MECHANICAL SUSPENSION
LIFTING DEVICE	TWO PNEUMATIC CYLINDERS
CYLINDER MATERIAL	CHASED ALUMINIUM ALLOY
ROD MATERIAL	HARD CHROMED STEEL
PISTON MATERIAL	STEEL + NBR
COVER MATERIAL	CAST IRON WITH BRASS BEARING
WORKING AREA	739 CM2 PER CYLINDER
CYLINDER FORCE (6-8 BAR)	4430 - 5900 KG PER CYLINDER
TOTAL FORCE (6-8 BAR)	8860 - 11800 KG
MAXIMUM STROKE	135 MM
SCREW FOR PIPE FITTING	1/4" BSP
TRACTION ELEMENT	Ø18 MM LINK CHAIN (5 ELEMENTS)
AXLE SUPPORT	OPT.: FOR 130 MM / 150 MM SQUARE OR ROUND AXLE
COMPLETE KIT WEIGHT	64 KG (APROX.)

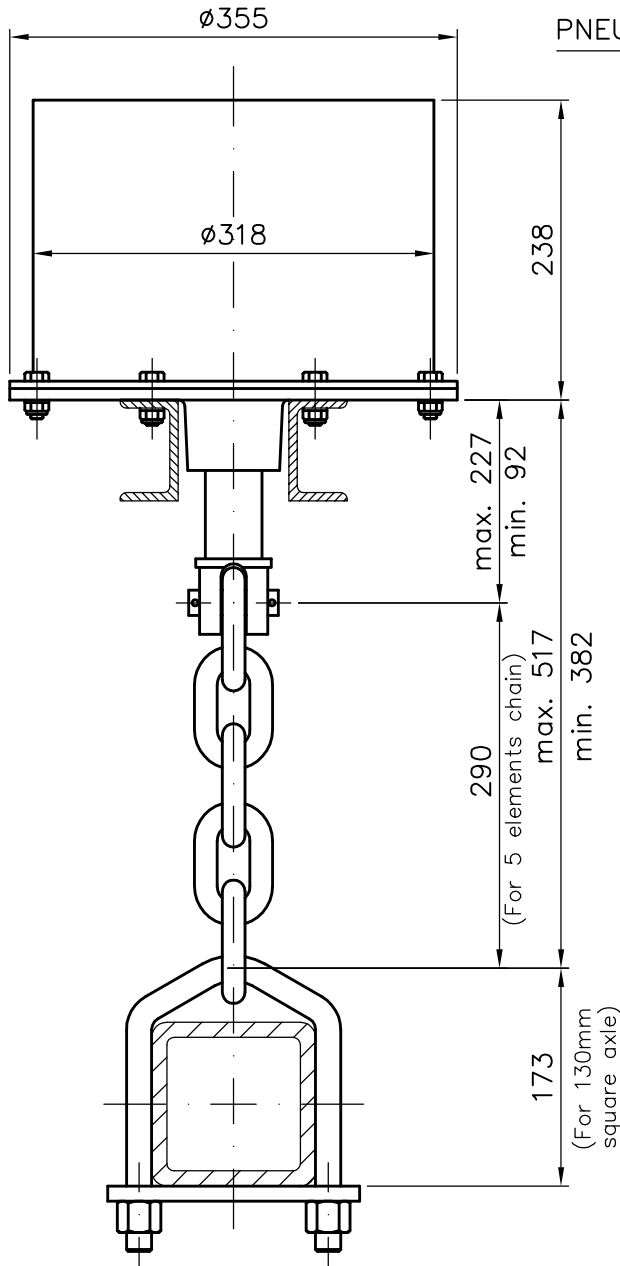
COMPONENTS OF AXLE LIFT KIT

TWO PNEUMATIC CYLINDERS	ANCHORING BOLTS
TWO LINK CHAINS	BOLT PINS
TWO AXLE SUPPORTS	SCREWS

INSTALLATION OF AXLE LIFT KIT

PNEUMATIC CYLINDERS HAVE TO BE FITTED (BOLTS) OVER TWO GIRDERS
(OUR PROPOSAL: 80 mm OR 100 mm "U" BARS, WELDED AT VEHICLE FRAME)

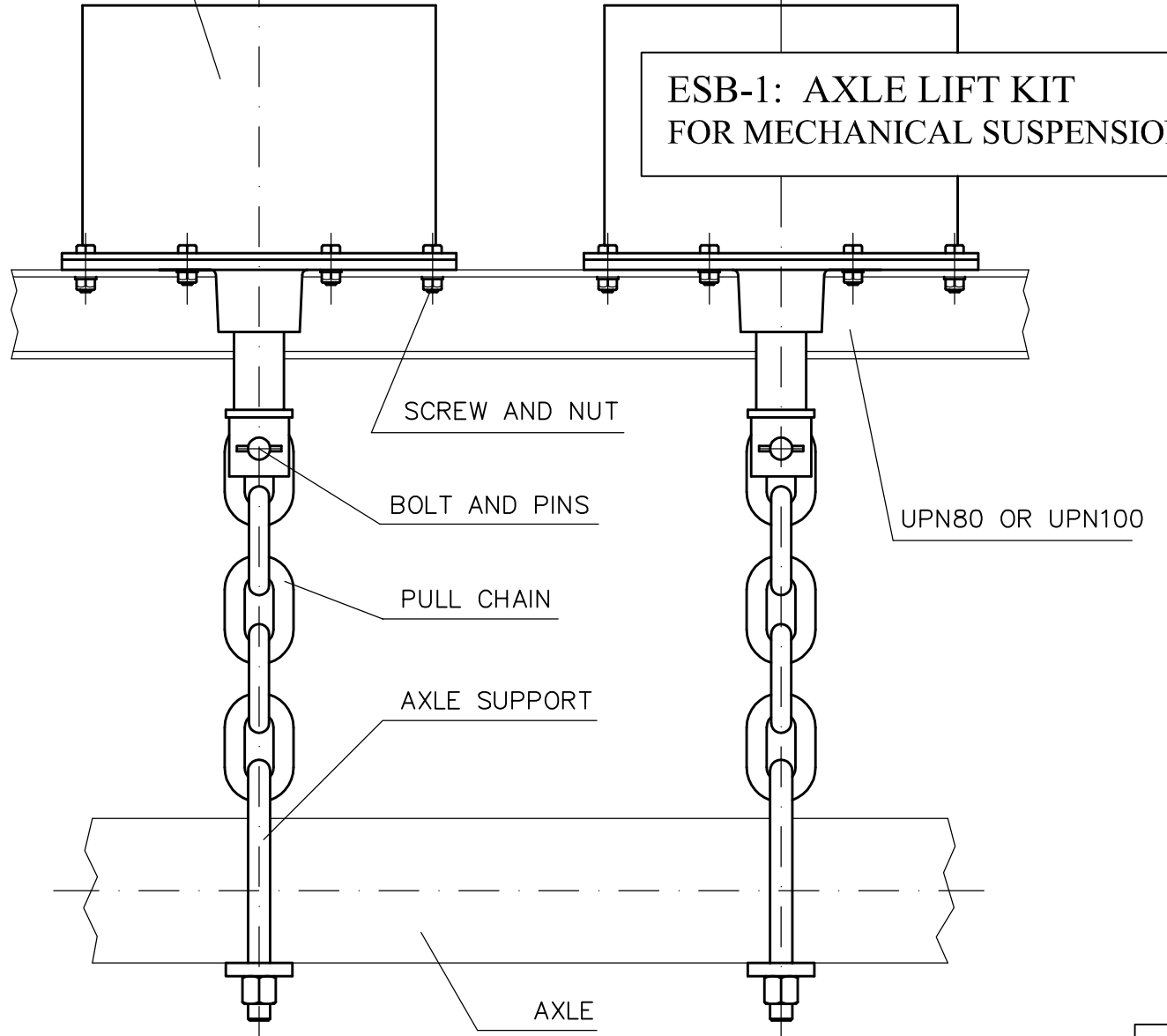
VERY IMPORTANT: CHAIN MUST NOT BE STIFFENED WHEN THE AXLE IS DOWN.
WE NEED AN ASSEMBLY CLEARANCE TO AVOID CYLINDER DAMAGES WHEN
THE VEHICLE IS RUNNING.



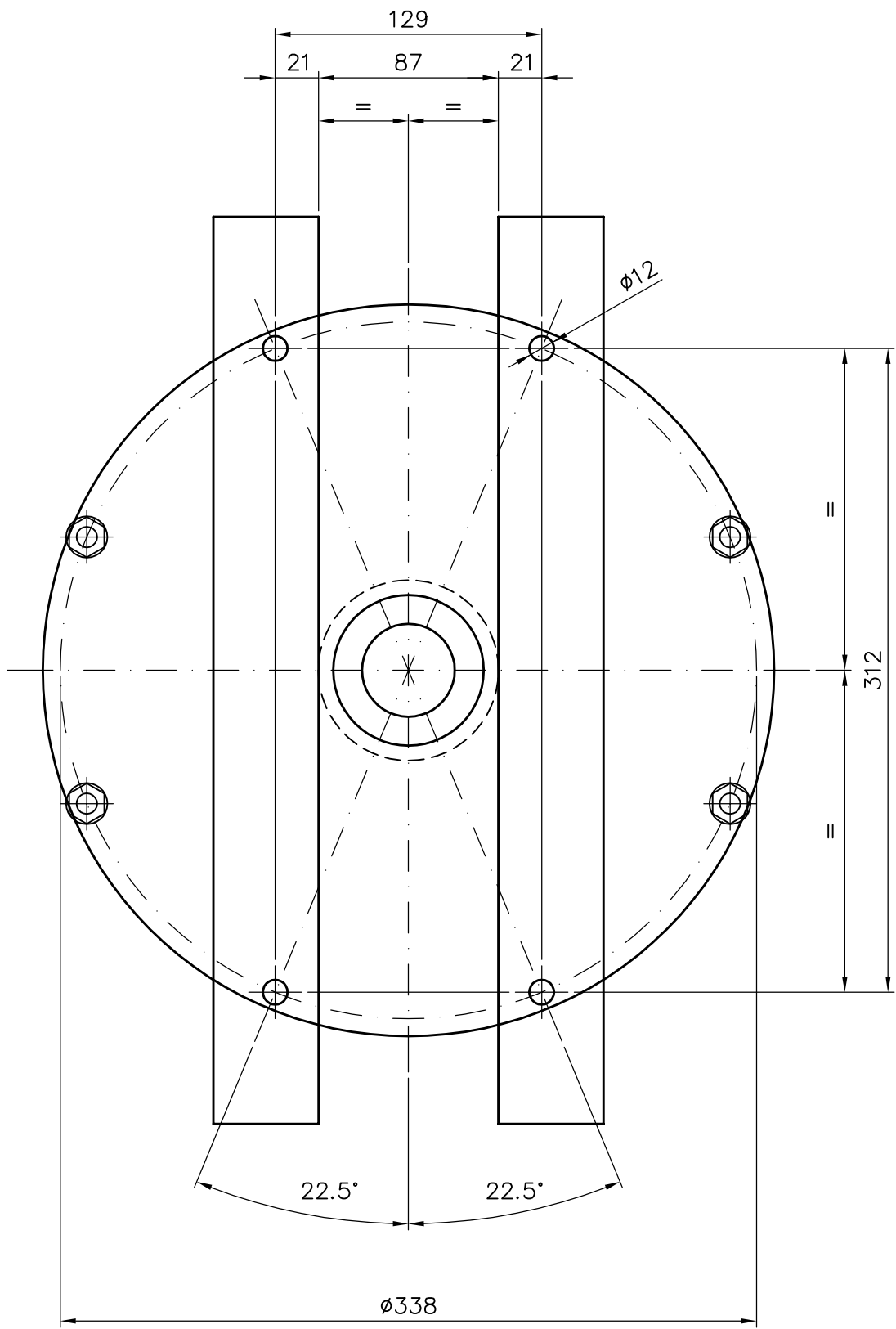
PNEUMATIC CYLINDER

min. 360

**ESB-1: AXLE LIFT KIT
FOR MECHANICAL SUSPENSION**

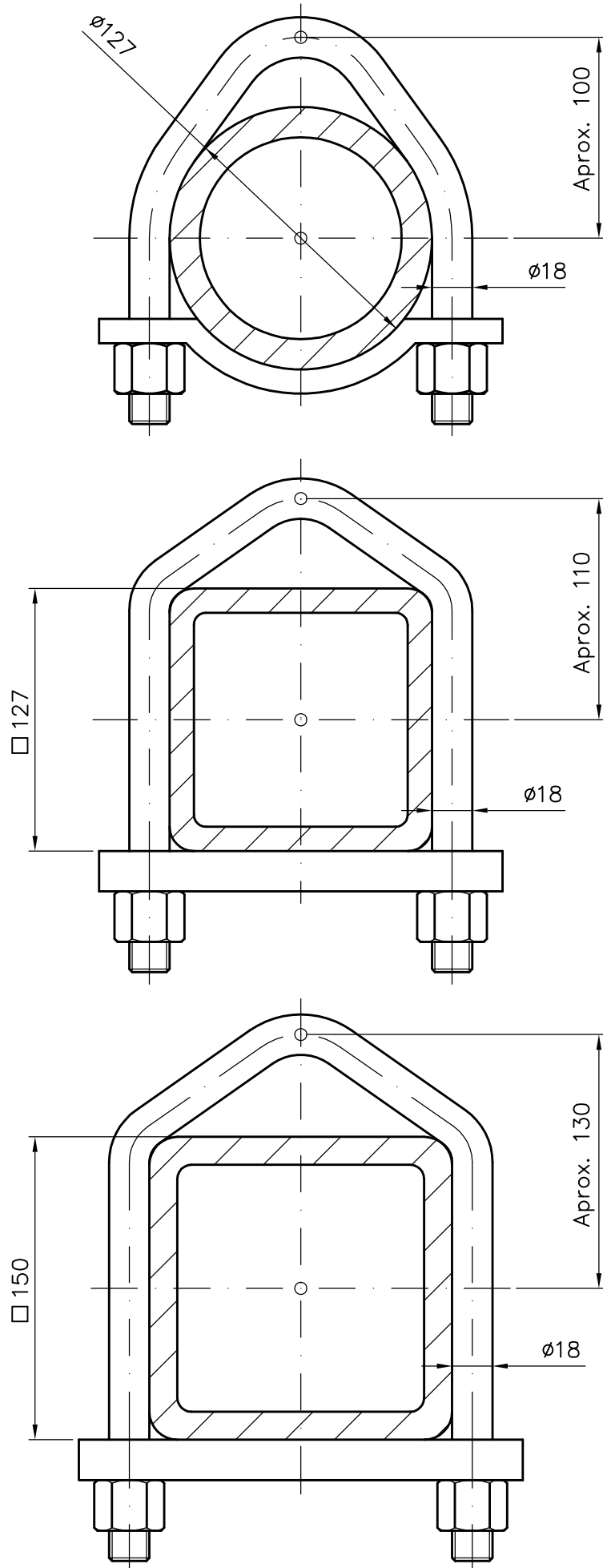


ESB-1 ANCHORING DIMENSIONS



SCALE 1:3

Axle Support Types & Dimensions





C/ Barranc Pascual, n.23
Pol. Ind. Campo Anibal
E-46530 PUZOL
Valencia - Spain

Tel. (+34) 96 141 15 18
Fax. (+34) 96 141 15 60

acceval@acceval.com
www.acceval.com